



### Technical Specifications:

AC Input: 100 to 120 VAC, 60 Hz, 1.3 Amps  
 DC Output: Up to 14.75 VDC Digitally & Temperature Controlled  
 Charge Mode: Up to 4 Amps  
 Battery Types: OPTIMA® LiFePO4, AGM and Flooded (Lead Acid) Batteries  
 - 12V OPTIMA® and High Performance AGM Batteries  
 - 12V OPTIMA® Lithium Iron Phosphate (LiFePO4) Batteries  
 - 12V Standard Flooded Lead Acid Batteries

Cables: 6' AC and DC Cables  
 Size: 8.2" x 4" x 2.8"

### Especificaciones técnicas:

Entrada de CA: 100 a 120 V CA 60 Hz, 1.3 amperios  
 Salida de CC: Hasta 14.75 V CC control digital y de temperatura  
 Régimen de carga: Hasta 4 amperios  
 Tipos de baterías: Baterías OPTIMA® LiFePO4, AGM e inundadas (plomo-ácido)  
 - Baterías OPTIMA® y AGM de alto rendimiento de 12V  
 - Baterías OPTIMA® LiFePO4 (fosfato de litio y hierro) 12V  
 - Baterías de ácido de plomo inundadas estándar de 12V

Cables: Cable de CA y CC de 6 pies  
 Size: 20,8 x 10,2 x 7,2 cm

### Caractéristiques techniques :

Entrée CA : 100 à 120 V c.a. 60 Hz, 1,3 ampères  
 Sortie CC : Jusqu'à 14,75 V c.c. Contrôle numérique et par la température  
 Intensité de charge : Jusqu'à 4 ampères  
 Types de batteries : Batteries OPTIMA® LiFePO4, AGM et batteries à électrolyte liquide (accumulateur au plomb).  
 - Batteries OPTIMA® et AGM haute performance 12 V  
 - Batteries OPTIMA® LiFePO4 (lithium phosphate de fer) 12 V  
 - Batteries 12 V standard à électrolyte liquide (plomb-acide)

Câbles : Câble CA et CC de 1,80 m (6 pi)  
 Size: 20,8 x 10,2 x 7,2 cm (8,2 x 4 x 2,8 po)

**OPTIMA**  
 5757 N. Green Bay Ave.  
 Glendale, WI 53209-4408  
 888.8OPTIMA (888.867.8462)  
[www.optimabatteries.com](http://www.optimabatteries.com)



Certified to:  
 UL 1236  
 CSA C22.2 No. 107.2  
 FCC Class B

Certificado a cumplir con:  
 Certifié conforme à :  
 UL 1236  
 CSA C22.2 No. 107.2  
 FCC Class B

# D400+

## 12V PERFORMANCE CHARGER & MAINTAINER

### WITH 4 AMP OPTIMA HYPERCORE LITHIUM™ CHARGER

### USER GUIDE



For use with 120 Volt 60 Hz AC power consistent with U.S. and Canadian standards

## IMPORTANT SAFETY INSTRUCTIONS

### PLEASE READ & SAVE THESE INSTRUCTIONS

The D400+ user guide contains important safety and operating instructions. In addition, important safety warnings are often found on batteries and in vehicle owner's manuals. Please read and follow all of the warnings, the battery and vehicle manufacturer's instructions and cautionary markings for the battery you are charging before applying AC power and operating the D400+.

**⚠ WARNING** - Failure to follow instructions may cause explosion, blindness or other serious injury. Always shield eyes. Safety glasses should be worn when working with or near a battery.

### Your Satisfaction is Important to Us!

**Please do not return this product to the retailer or dealer for any service or warranty requirements.**

For technical or warranty support please call OPTIMA® customer service at 1-888-867-8462 (888-8OPTIMA) between 9am-5pm (CST) Monday through Friday, or via email at [info@optimabatteries.com](mailto:info@optimabatteries.com)  
 Thank you. OPTIMA® Customer Service. Must have receipt for warranty.

### PLEASE RECORD YOUR:

Model Number: D400+ Serial Number: \_\_\_\_\_ Date of Purchase: \_\_\_\_\_

# Table of Contents

Introduction.....	1
Important Safety Instructions.....	2-7
Handling Batteries.....	8
Product Overview.....	9-10
Getting to Know your Charger.....	11-14
Charging Battery Types and Approximate Charge Times.....	15
Installation.....	16
Easy Set Up.....	17-20
a. Charging with DC Charging Clamps in a Vehicle.....	17
b. Charging with DC Charging Clamps out of a Vehicle.....	18
c. Charging with Ring Terminal Cables.....	19
d. Charging with OPTIMA® HYPERCORE LITHIUM™.....	20
Quick Set Operations.....	21
Trouble Shooting.....	22-23
Storage and Care.....	24
Technical Specifications.....	24
Technical Support and Warranty.....	25

# Introduction

Thank you for your recent purchase of the OPTIMA® D400+ 12V Performance Charger & Maintainer. Our latest and most innovative design redefines the 12V Performance Charger & Maintainer, with industry leading features not seen before. The plus series chargers are approved for charging the new OPTIMA® HYPERCORE LITHIUM™ batteries.

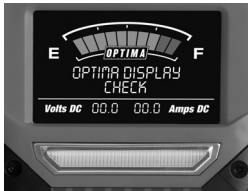
The new D400+ boasts weatherproof construction with an integrated cable management wrap, and dual use body design that allows for portable or wall mounted use with our wall organizer bracket.

Leveraging the latest in digital and software controlled power conversion technology, the D400+ is fully automatic and includes: a 4 color line of sight Charge Mode Status LED bar, alphanumeric display with battery state of charge, and 4 selectable performance profiles, covering a full range of OPTIMA® HYPERCORE LITHIUM™, AGM and industry standard flooded batteries.

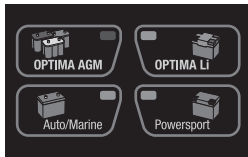
Designed to maximize reserve power performance and extend battery life, the D400+ will keep 12V batteries fully charged during short term and long term storage. Our built-in Energy Saver Mode will monitor and maintain your battery at a full state of charge while significantly reducing AC power consumption, lowering operating costs.

For 12V automotive, motorcycle, marine, tractor, powersports, RVs and more.

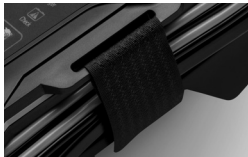
## D400+ Best in Class Design Features:



**Charge Mode LED Status Bar**  
Indicates Analyzing, Charging, Conditioning, Auto Maintain and Check Battery fault indication. Battery status can also be monitored in detail using the alphanumeric display. The display shows battery state of charge, status messaging, voltage and current measurements.



**Digital Battery Type Selector Profiles**  
OPTIMA® LiFePO4, AGM and standard flooded batteries.



**Integrated Cable Wrap**  
Keep cables in place during use and storage. Reusable strap holds cables in place.



**Wall Mount or Portable**  
Use bracket with battery clamp and ring terminal cable holders for wall mounting or use as a portable maintainer.

# Important Safety Instructions

## **SAVE THESE INSTRUCTIONS**

This manual contains important safety and operating instructions for the OPTIMA® D400+ 12V Battery Charger & Maintainer.

## **CAUTION**

To reduce the risk of injury, charge only lead-acid batteries and OPTIMA® LiFePO4 batteries. Other types of batteries may burst, causing personal injury.

## **WARNING**

To reduce the risk of injury to user or property; the user must read and understand the instruction manual and all warnings on the charger and batteries before use.

Before connecting your batteries or applying AC power, read all instructions and cautionary markings on the battery charger, cables and batteries.

## **CAUTION**

Risk of Electric Shock. Connect only to properly grounded GFCI protected outlets.

If cords or wires/cables become damaged, return complete unit to OPTIMA® for service/repair immediately.

## **IMPORTANT NOTICE: FCC CLASS B PART 15 NOTIFICATION**

Your On-Board Battery Charger has been designed and tested to comply with FCC Class B part 15. These regulations are to provide adequate protection against harmful interference while operated in a commercial application. If in a residential setting, you are encountering interference with TV and radio reception, simply remove AC power from the OPTIMA® unit to confirm if your battery charger is causing interference. End user can explore the following to minimize interference:

- 1) Chose a different AC circuit to power your On-Board Battery Charger.
- 2) Make sure your outlet is properly grounded.
- 3) Re-position receiving antenna.
- 4) Purchase a separate AC line filter.
- 5) Relocate charger so that it is at the furthest point from home receiving equipment, TV, radio, etc.



## Important Safety Instructions

### ⚠ WARNING

1. WARNING - RISK OF EXPLOSIVE GASES.
  - a. WORKING IN THE VICINITY OF A LEAD-ACID BATTERY IS DANGEROUS. BATTERIES GENERATE EXPLOSIVE GASES DURING NORMAL BATTERY OPERATION. FOR THIS REASON, IT IS OF UTMOST IMPORTANCE THAT YOU FOLLOW THE INSTRUCTIONS EACH TIME YOU USE THE CHARGER.
  - b. To reduce risk of battery explosion, follow these instructions and those marked on the battery. Review cautionary marking on these products and on engine.
2. Do not use the battery charger unless the battery voltage matches the battery chemistry and output voltage rating of the charger.
3. Use of an attachment not recommended or sold by OPTIMA® may result in a risk of fire, electric shock, or injury to persons.
4. To reduce risk of damage to electric plug and cord, pull by plug rather than cord when disconnecting charger.
5. Extension cords should not be used unless absolutely necessary. Use of an improper extension cord could result in a risk of fire and electric shock. If an extension cord must be used make sure:
  - a. Pins on the plug of the extension cord are the same number, size and shape as those on the plug of the charger.
  - b. Use only a properly wired extension cord in good electrical condition.
  - c. Use an industrial grade / heavy duty UL or CSA approved extension cord. Check extension cord before use for damage, bent prongs, and cuts. Replace if damaged. Always make your extension cord connection on the charger side first. **After connecting the extension cord to the charger, proceed to plug the extension cord into a nearby 120 VAC GFCI protected (Ground Fault Circuit Interrupt) outlet.**

Below are manufacturer recommendations for the right size UL or CSA Approved grounded extension cord.

    - i. Up to 50 feet in length use a 18 AWG extension cord.
    - ii. 50 to 100 feet in length use a 16 AWG extension cord.
    - iii. 100 to 150 feet in length use a 14 AWG extension cord.
6. Do not operate charger if any protective AC and DC cable insulation, charging clamps, DC fuse holders and/or maintainer ring terminals have been damaged or compromised. Return the charger for service and repair to OPTIMA® immediately.
7. Do not operate the charger if it has received a sharp blow, direct hit of force, been dropped or otherwise damaged in any way. Return the charger for service and repair to OPTIMA® immediately.
8. Do not disassemble charger. Incorrect reassembly may result in a risk of electric shock or fire. If service or repair is required, please call OPTIMA® customer service at 1-888-867-8462 (888-8-OPTIMA) between 9am-5pm (CST) Monday through Friday, or via email at info@optimabatteries.com. Unauthorized attempts to service, repair or modify may result in a risk of electrical shock, fire or explosion and will void warranty.

## Important Safety Instructions

9. To reduce risk of electric shock, unplug charger from outlet before attempting any maintenance or cleaning. Turning off controls will not reduce risk.
10. Do not expose charger to rain or snow.

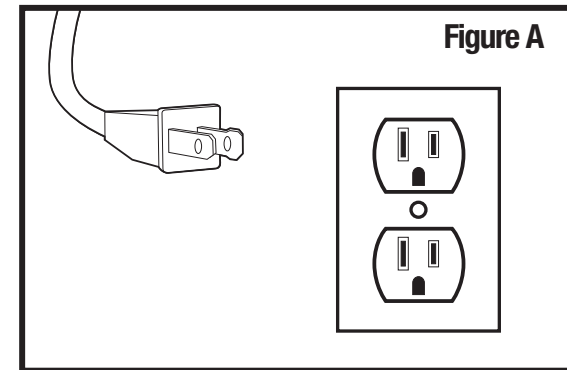
### 11. AC POWER CORD CONNECTION INSTRUCTIONS

- a. The plug must be plugged into an outlet that is properly installed and protected by a GFCI outlet.

### ⚠ DANGER

Never alter AC cord or plug provided - If it will not fit outlet, have proper outlet installed by a qualified electrician. Improper connection can result in a risk of an electric shock.

- b. This battery charger is for use on a nominal 120-volt circuit.



## 12. PERSONAL PRECAUTIONS

### CAUTION

- a. Consider having someone close enough or within the range of your voice to come to your aid when you work near a lead-acid battery.
- b. Have plenty of soap, water and baking soda nearby in case battery acid comes in contact with skin, clothes or eyes.
- c. Wear complete eye protection, hand and clothing protection. Avoid touching eyes while working near a battery.
- d. If battery acid contacts skin or clothing, wash immediately with soap and water. If acid enters eye, immediately flood eye with running cold water for at least 15 minutes and get medical attention immediately.
- e. NEVER smoke, strike a match or cause a spark or flame in vicinity of battery or engine.
- f. Be extra cautious to reduce risk of dropping a metal tool onto the battery. It might spark or short-circuit a battery or other electrical hardware which may cause an explosion or fire.
- g. Remove all personal metal items such as rings, bracelets, necklaces, watches, and jewelry when working near a battery. A battery can produce a short circuit current high enough to weld a ring or any other metal, causing serious burns.
- h. Use charger for charging lead-acid batteries and OPTIMA® LiFePO4 batteries. It is not intended to supply power to a low voltage electrical system other than in a starter-motor application. Do not use battery charger for charging dry-cell batteries that are commonly used with home appliances. These batteries may burst and cause injury to persons and damage to property.
- i. NEVER charge a frozen, damaged or leaking battery.
- j. Keep other persons, children and pets away from batteries and your charger during operation to avoid serious injury, death, fire or explosion.
- k. Do not place the charger in the engine compartment or near moving parts. Place away from the battery using the length of the DC cables.
- l. Consult vehicle owner's manual.

## 13. PREPARING TO CHARGE A BATTERY

### CAUTION

- a. If necessary to remove a battery from a vehicle to charge, make sure the engine is off and all accessories in vehicle are off, as to not cause an arc. Always remove the grounded negative terminal from the battery first.
- b. Study all battery manufacturers' specific precautions; warnings and instructions while charging and recommended rates of charge. Never charge a battery with missing safety vent caps.
- c. Be sure the area around the charger and batteries is well ventilated while the battery is being charged. If the electrolyte is splashed into an eye, immediately force the eye open and flood it with clean, cool water for at least 15 minutes. Get prompt medical attention. If electrolyte is taken internally, drink large quantities of water or milk. DO NOT induce vomiting. Get prompt medical attention. Neutralize with baking soda any electrolyte that spills on a vehicle or in the work area. After neutralizing, rinse contaminated area clean with water.
- d. Clean battery terminals. Be careful to keep corrosion from coming in contact with eyes.
- e. For flooded batteries with removable caps, ONLY ADD DISTILLED WATER in each cell until electrolyte reaches levels specified by the battery manufacturer. Do not over fill. For a maintenance free battery without removable caps, such as valve regulated lead acid batteries, carefully follow manufacturer's recharging instructions.
- f. Determine voltage of battery by referring to the car owner's manual and make sure the charger is set for the correct 12V battery type. See "Charging Battery Types and Approximate Charge Times".
- g. Do not overcharge batteries by selecting the wrong battery type or by trying to charge a non-12 Volt as defined by the 12 Volt battery types specified in this manual.
- h. Select the correct battery profile on the charger for the corresponding battery. Do not select flooded lead-acid or AGM profiles for lithium-ion batteries. Flooded lead-acid and AGM profiles are not optimized for charging lithium-ion batteries and could result in subpar performance, reduced battery life, fire, or property damage. Only select OPTIMA® Li profile for OPTIMA® LiFePO4 batteries.
- i. A wrong profile, failed or defective charging system can cause your battery to be dangerously overcharged. Failure to check and maintain your charging system can result in fire, explosion or damage to property.
- j. Use caution when charging batteries that have been over-discharged.
- k. Stop charging and contact support if at any time the battery emits odors, gasses, fluids or smoke, gets hot or swells/deforms.
- l. Lithium-ion batteries do not have a "memory effect"; fully discharging before initial charging or periodically discharging is not necessary and could reduce overall life.
- m. The battery should be installed so that it is not exposed to excessive heat (above 140°F/60°C) such as next to an exhaust manifold. Storage and use of batteries at excessive temperatures can reduce battery life. Heat shield or install the battery away from excessive heat sources such as exhaust headers or components.
- n. OPTIMA® lithium-ion batteries have a built-in battery management system (BMS) that could disable the battery in fault conditions such as low/over temperatures, low/over voltages, short circuit. Consult the battery manufacturer manual for fault conditions.

## Important Safety Instructions

### 14. CHARGER LOCATION

#### ⚠ CAUTION

- Locate charger as far away from battery as DC cables permit.
- Never place a charger directly above a battery being charged; gases or fluids from battery will corrode and damage charger.
- Do not operate charger in a closed-in area or restricted ventilation in any way.
- Never allow battery acid to drip on charger when reading electrolyte specific gravity or filling a battery.
- Do not set a battery on top of charger.
- Do not install on or over combustible surfaces.

### 15. DC CONNECTION PRECAUTIONS

#### ⚠ CAUTION

- Connect and disconnect DC output clips only after and removing AC cord from electric outlet. Never allow clips to touch each other.
- Attach charging clamps to battery and chassis as indicated in page 17 through 18 in this manual

## Handling Batteries

WHEN HANDLING BATTERIES ALWAYS READ AND FOLLOW THE BATTERY MANUFACTURER WARNINGS, INSTRUCTIONS AND CAUTIONARY MARKINGS.

### DANGER OF EXPLODING BATTERIES

⚠ DANGER / POISON			
 <b>SHIELD EYES</b> <b>EXPLOSIVE GASES</b> CAN CAUSE BLINDNESS OR INJURY	 <b>NO SPARKS</b> FLAMES SMOKING	 <b>SULFURIC ACID</b> CAN CAUSE BLINDNESS OR SEVERE BURNS	 <b>FLUSH EYES IMMEDIATELY WITH WATER</b> GET MEDICAL HELP FAST
<b>KEEP OUT OF THE REACH OF CHILDREN. DO NOT TIP. KEEP VENT CAPS TIGHT AND LEVEL</b>			

Batteries contain sulfuric acid and produce explosive mixtures of hydrogen and oxygen gas. Because self-discharge action generates hydrogen gas even when the battery is not in operation, make sure batteries are stored and are used in a well-ventilated area. ALWAYS wear ANSI Z87.1 (U.S. standard) approved safety glasses and face shield or splash proof goggles when working on or near batteries:

- Always wear proper eye, face and hand protection.
- Never try to charge a visibly damaged battery.
- Do not attempt to charge a frozen battery.
- Have plenty of soap, water and baking soda nearby in case battery acid comes in contact with skin, clothes or eyes.
- Keep all sparks, flames and cigarettes away from the battery.
- Keep removable vents tight and level except when servicing electrolyte.
- Never try to open a battery with non-removable vents.
- Make sure work area is very well ventilated.
- Never lean over battery while boosting, testing or charging.
- Exercise caution when working with metallic tools or conductors to prevent short circuits and sparks.
- Make sure that the charger leads to the battery are not broken, frayed or loose.
- If the battery becomes hot, or if violent gassing or spewing of electrolyte occurs, immediately turn off the charger and have your local dealer test your battery.

### HANDLING BATTERY ACID

Battery acid, or electrolyte, is a solution of poisonous sulfuric acid and water that can destroy clothing and burn the skin. Use extreme caution when handling electrolyte and keep an acid neutralizing solution- such as baking soda or household ammonia mixed with water- readily available. When handling batteries:

- Always wear proper eye, face and hand protection.
- If the electrolyte is splashed into an eye, immediately force the eye open and flood it with clean, cool water for at least 15 minutes. Get prompt medical attention.
- If electrolyte is taken internally, drink large quantities of water or milk. DO NOT induce vomiting. Get prompt medical attention.
- Neutralize with baking soda any electrolyte that spills on a vehicle or in the work area. After neutralizing, rinse contaminated area clean with water.





**D400+ 12V Performance Charger & Maintainer Features**

The OPTIMA® D400+ sports ultra-premium features and technology making battery care, charging and maintaining batteries easier than ever before. Convenient features include: quick connect interchangeable OPTIMA® Li POWERLINK, battery clamp, and ring terminal cable assemblies. The provided wall organizer bracket keeps your D400+ off the floor and stores the cable assemblies when not in use.

Designed for the professional, enthusiast, and collector, the D400+ also includes 4 performance battery type profiles for use with all 12V: OPTIMA® LiFePO4, AGM, Auto/Marine lead-acid and powersports lead-acid batteries.

The new D400+ boasts weatherproof construction with an integrated cable management wrap, and dual use body design that allows for portable or wall mounted use with our wall organizer bracket.

**Multi-Stage Charging Overview**

Enhance the performance of your battery and extend battery life. The OPTIMA® D400+ 12V Performance Charger & Maintainer employs the latest in digital, multi-stage charging. With 4 fully automatic modes your D400+ 12V Performance Charger & Maintainer will sequence through stages 1 through 4 as below:

**Stage 1 - System Check and Battery Analyzing:** During this stage, the status bar will pulse blue. This indicates the OPTIMA® D400+ is performing a self-test, analyzing the battery connection, and checking if the battery is capable of being charged by outputting a small current to the battery. The "Connected" LED will illuminate green indicating a good connection.

*Note: While in analyze mode, the battery type can be changed by following the steps in the "Selecting a Charging Profile" section on page 14.*

This mode takes approximately 1 minute.

**Stage 2 - Charging:** During this mode the Status Bar will be solid red. The OPTIMA® D400+ will use all of its available charging amps (as controlled by temperature) until the battery voltage is raised to 14.4 VDC (OPTIMA® LiFePO4 battery setting).

**Stage 3 - Conditioning:** During this mode the status bar will be solid amber. Batteries will hold at 14.4 VDC (OPTIMA® LiFePO4 battery setting) to complete charging while conditioning the battery connected. Upon completion, the OPTIMA® D400+ will go into Auto Maintain mode.

**Stage 4 - Auto Maintain (Energy Saver Mode):** During this mode the status bar will be solid green, indicating Stage 2 charging and Stage 3 conditioning are completed. At this time the OPTIMA® D400+ will initiate its Auto Maintain (Energy Saver) mode, which will monitor and Auto Maintain the battery only when needed to maintain a full state of charge.

**Fault Mode:** In any above stages, if a fault condition occurs, the OPTIMA® D400+ will enter the fault mode and stop outputting. The status bar will turn OFF; the Check LED will turn ON red. Fault conditions include bad connection, reverse polarity, a battery that is below 2.5VDC or above 15.5VDC, the alphanumeric display will provide additional information.

If the OPTIMA® D400+ cannot charge up the battery, such as if a 6V battery is connected instead of a 12V battery, the Check LED will be pulsing red.

The OPTIMA® D400+ will go back to Stage 1 if all faults are cleared.

**Additional Peace of Mind Safety and Operation Features:**

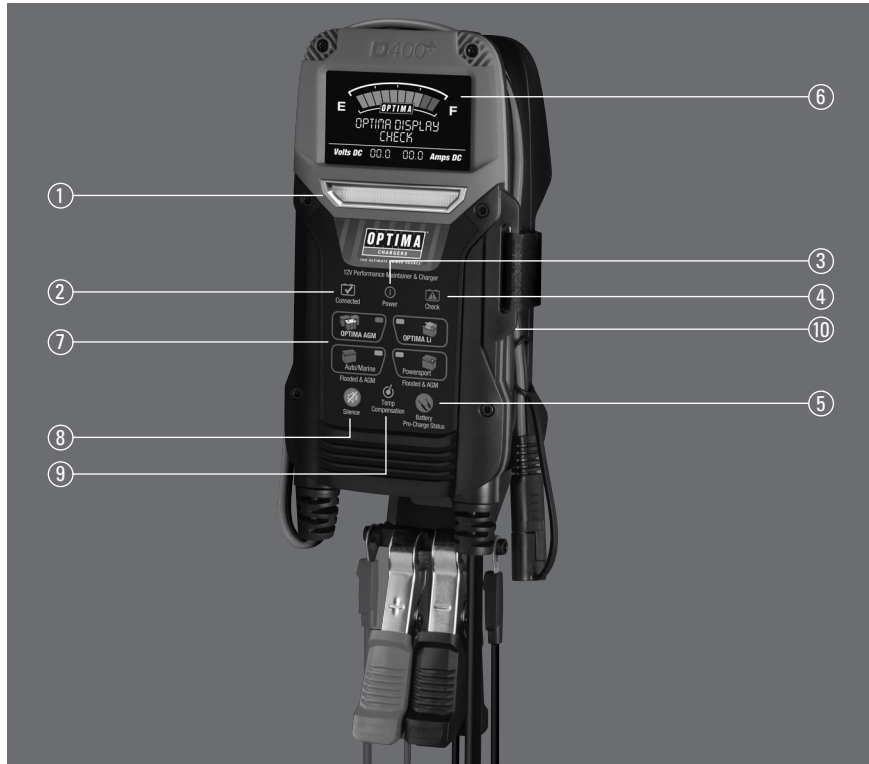
Spark-free connection technology.

Reverse polarity and over temperature protection.

At-a-glance Charge Status bar and alphanumeric display, battery Connected and battery Check icons.

## Getting to Know your Charger

This section of the manual is designed to give you a complete understanding of the features, functions and operation of your OPTIMA® D400+.



## Getting to Know your Charger

### Feature

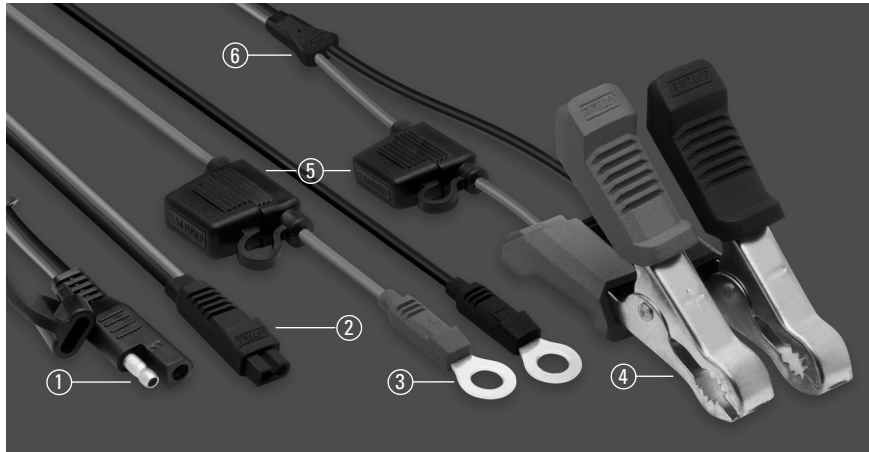
1. Charge Status Light Bar
2. Connected LED
3. Power LED
4. Check LED
5. Pre-Charge Status Button
6. Charge Status Fill Gauge
7. Battery Selector Buttons
8. Silence Button
9. Temp Compensation
10. Cable Management Wrap
11. Hood Latch Hook & Kickstand
12. Wall Organizer Bracket

### Function

- Displays the corresponding color for Analyze, Charge, Conditioning and Auto Maintain modes.  
 Analyze: blue pulsing  
 Charge: solid red  
 Conditioning: solid amber  
 Auto Maintain: solid green  
 Fault: OFF
- Turn ON (green) when the charger is connected to a battery.
- Turn ON (blue) when AC power is present.
- Check warning LED will illuminate red only if there is a connection or battery problem requiring attention
- Prior to charging your battery, view your battery charge level.
- Ten segment state of charge indicator: displays charge level status in 10% increments.
- Selection of Charge Profiles by battery type (OPTIMA® LiFePO4, AGM, Auto/Marine, Powersports).
- Mutes the status speaker.
- Indicates that battery temperature voltage compensation is active.
- Stores AC and DC cables when not in use.
- This convenient hook allows the unit to hang from a hood latch or other vehicle hardware or as a "kickstand" on a hard flat surface.
- Convenient wall organizer bracket, mounting screws included.



## Getting to Know your Charger



### Feature

1. DC Output Connection

2. OPTIMA® LiFePO4 Connector

3. Ring Terminals

4. Clamp Connectors

5. Fuse Holder and Cover

6. Y-splitter

### Function

The product incorporates Trailer Pin Style Connector (backward compatible with old generation OPTIMA® chargers). This is a connector that provides quick and easy connection with 3 different DC cables that comes with the OPTIMA® D400+ for different applications.

Custom-made OPTIMA® LiFePO4 Connector for connecting the OPTIMA® HYPERCORE LITHIUM™ iron phosphate (LiFePO4) battery.

15.16mm OD, 8.6mm ID ring terminals provide secure connection to various batteries for permanent connection.

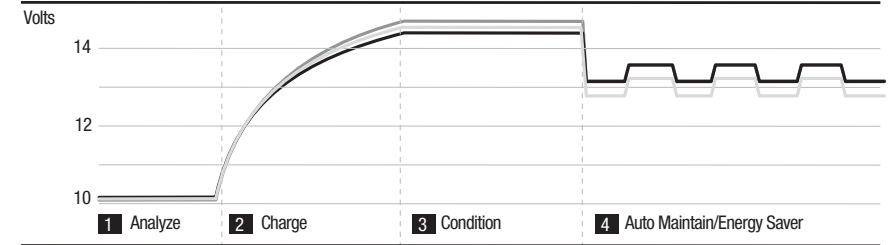
Gloss reflective nickel-plated heavy-duty clamp. Molded red and black slide-over rubber grips.

Water-resistant fuse holder with industrial standard ATC mini blade fuse included.

Insert molded "Y" Block.

## Getting to Know your Charger

### Charge Profiles



### Selecting a Charging Profile

**⚠ CAUTION:** Connect the charger to the battery before applying AC Power.

**⚠ CAUTION:** Remove AC power before disconnecting the charger from the battery.

*Note: **User must select a battery type for the first time using the OPTIMA® D400+ charger.** It does not have a battery type selected out-of-box. Once a battery type is selected, the OPTIMA® D400+ will stay in that battery type unless user changes it to another battery type.*

# Charging Battery Types & Approximate Charge Times

The OPTIMA® D400+ is designed specifically for 12 Volt batteries.

**Please use the table below to understand your battery type before making a quick set “battery type charging profile” selection.**

Please use the table below to understand charging and maintaining your battery.

*Note: OPTIMA® D400+ is designed to charge small batteries like the OPTIMA® LiFePO4 battery. OPTIMA® D400+ is designed to maintain auto/truck batteries for short and long term storage. However, OPTIMA® D400+ is not designed to charge or maintain large batteries like 4D or 8D batteries.*

Quick Set Icon	Battery Type	Description of Battery Type	Approximate Amp Hour Rating	Approximate Charge Times
Profile 1 <b>OPTIMA® Li</b>	OPTIMA® HYPERCORE LITHIUM™ batteries	OPTIMA® ORANGETOP 12 Volt LiFePO4 (lithium iron phosphate) batteries	3-30 Ah	Up to 12 hours
Profile 2 <b>OPTIMA® AGM</b>	High Performance AGM (Absorbed Glass Mat) batteries	OPTIMA® 12 Volt AGM batteries - OPTIMA® REDTOP and BLUETOP batteries with a dark gray body - OPTIMA® YELLOWTOP and BLUETOP batteries with a light gray body - Other high performance AGM starting batteries	35-100 Ah	Up to 30 hours
Profile 3 <b>Auto/Marine</b>	Standard Flooded and AGM (Absorbed Glass Mat) batteries	Standard 12 Volt Flooded lead acid and standard AGM batteries - Flooded motorcycle, tractor, powersport batteries with and without caps - AGM (large), auto, marine, truck, RV batteries	Up to 40 Ah	Up to 30 hours
Profile 4 <b>Powersport</b>	Standard Flooded and AGM (Absorbed Glass Mat) batteries (small)	Standard 12 Volt Flooded lead acid and standard AGM batteries - Flooded (small) motorcycle, tractor, powersport batteries with and without caps - AGM (small), motorcycle, tractor powersport batteries	Up to 40 Ah	Up to 30 hours

**CAUTION - IMPORTANT NOTICE:** Don't know your battery type? Look online or call your local dealer with your battery manufacturer's name and part number to identify your battery type before charging. Do not charge or maintain 4D, 8D or other high capacity 6, 8 or 12 Volt batteries typically seen in golf carts as they are typically wired for 24 Volt, 36 Volt or 48 Volt configurations and have a dedicated / specific charger to be used.

**Read all important safety and cautionary markings on your battery by the manufacturer and in this manual before using your OPTIMA® D400+.**

# Installation

OPTIMA® D400+ is designed to be permanently mounted on-board vertically with the wall organizer bracket. Always mount your OPTIMA® D400+ in a compartment or area that can be properly ventilated during use.

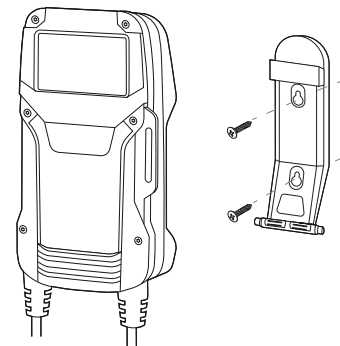
Do NOT make any electrical connections to the OPTIMA® D400+ or batteries until the following steps are completed:

## 10 Easy to follow installation steps:

1. Select a mounting location that allows for free air ventilation with a minimum of 6 inches of clear unobstructed space around and in front of the charger. Open all battery and engine compartments and ventilate for at least 15 minutes before starting the installation. Confirm all battery cables can reach the battery.
2. Do not install charger on carpeted, upholstered, vinyl, or varnished areas. Be sure to place the charger in an accessible area where all indicators are viewable. Install this unit on a hard surface.
3. Using the wall organizer bracket, mark the position of each mounting hole. Ensure the mounting screws will not puncture or protrude into a live well, a fuel or oil tank or the bottom of the vehicle.
4. Using a 1/8" or 7/64" drill bit, drill pilot holes in the (2) marked locations as described in step 3. Insert the drywall anchors if needed. (Drywall anchors included)
5. Position the wall organizer bracket over the mounting holes and secure with a power screwdriver by installing 2 stainless steel #8 screws. (Mounting screws included)
6. Install the charger onto the wall organizer bracket.
7. Connect the DC output cables as illustrated on pages 17-20. Make sure the black wires are connected as illustrated to the negative side of the battery and the red wires are connected to the positive side of the battery.

**⚠ CAUTION:** Connect the charger to the battery before applying AC Power.

8. Make sure all DC connections are correct, tight, and free from corrosion.
9. Locate the AC power cord in an open-air area of your vehicle at least 21 inches from the charger, batteries, and fuel fill lines.
10. Connect a heavy duty UL approved extension cord to the D400+ first. After connecting the extension cord to the charger, proceed to plug the extension cord to a nearby GFCI protected (Ground Fault Circuit Interrupt) outlet. Always remove the extension cord from the outlet first when charging is completed, followed by unplugging the charger. You are now connected and charging your batteries, and can view the LED indicators.



1/8" or 7/64" pilot hole with silicon sealer

## IMPORTANT NOTICE

- Maintain an obstruction-free area of 6 inches around the product.
- Prior to mounting, confirm mounting surface has adequate strength and thickness
- Check for electrical or fuel lines on or behind surface.

## Easy Set up - Charging w/ DC Clamps in a Vehicle

**⚠ WARNING - FAILURE TO FOLLOW INSTRUCTIONS MAY CAUSE SERIOUS INJURY, DAMAGE OR EXPLOSION, ALWAYS SHIELD EYES WITH SAFETY GLASSES.**

FOLLOW THESE STEPS WHEN BATTERY IS INSTALLED IN A VEHICLE. A SPARK NEAR BATTERY MAY CAUSE BATTERY EXPLOSION. TO REDUCE RISK OF A SPARK NEAR A BATTERY:

- Position AC and DC cords to reduce risk of damage by hood, door or moving engine parts.
- Stay clear of fan blades, belts, pulleys, and other parts that can cause injury to persons.
- Check polarity of battery posts. POSITIVE (POS, P, +) battery post usually has a larger diameter than the NEGATIVE (NEG, N, -) post.
- Identify if you have a negative or positive grounded vehicle. This can be done by identifying which battery post NEGATIVE (NEG, N, -) OR POSITIVE (POS, P, +) is connected to the chassis.
- For a negative grounded vehicle: connect the RED POSITIVE (POS, P, +) cable clamp or ring terminal first to the positive post of the battery, then connect the BLACK NEGATIVE (NEG, N, -) cable clamp or ring terminal to the vehicle's chassis. Do not connect the black negative (NEG, N, -) cable clamp to metal fuel lines or anywhere in proximity of the carburetor or the battery itself. Connect to a heavy gauge metal part of the frame or engine block.
- For a positive grounded vehicle: connect the BLACK NEGATIVE (NEG, N, -) cable clamp or ring terminal first to the negative post of the battery, then connect the RED POSITIVE (POS, P, +) cable clamp or ring terminal to the vehicle's chassis. Do not connect the red positive (POS, P, +) cable clamp to metal fuel lines or anywhere in proximity of the carburetor or the battery itself. Connect to a heavy gauge metal part of the frame or engine block.
- Plug charger into a properly grounded GFCI protected outlet.
- When charging is completed, always disconnect AC power, remove clip from vehicle chassis, and then remove clip from battery terminal.
- See operating instructions for length of charge information.



*Pictured: Typical DC charging clamp connections for a precharge status (with engine off and charger unplugged from AC power), charging or just maintaining a fully charged battery with the DC charging clamps in a vehicle.*

## Easy Set up - Charging w/ DC Clamps out of a Vehicle

**⚠ WARNING - FAILURE TO FOLLOW INSTRUCTIONS MAY CAUSE SERIOUS INJURY, DAMAGE OR EXPLOSION, ALWAYS SHIELD EYES WITH SAFETY GLASSES.**

FOLLOW THESE STEPS WHEN BATTERY IS OUTSIDE VEHICLE. A SPARK NEAR BATTERY MAY CAUSE BATTERY EXPLOSION. TO REDUCE RISK OF A SPARK NEAR A BATTERY:

- Check polarity of battery posts. POSITIVE (POS, P, +) battery post usually has a larger diameter than the NEGATIVE (NEG, N, -) post.
- Connect the RED POSITIVE (POS, P, +) cable clamp or ring terminal to the POSITIVE (POS, P, +) post of battery.
- Connect the BLACK NEGATIVE (NEG, N, -) cable clamp or ring terminal to the NEGATIVE (NEG, N, -) post of battery.
- Do not face battery directly when making final connection.
- Plug charger into a properly grounded GFCI protected outlet.
- When disconnecting charger, always do so in reverse sequence of connecting procedure and break first connection while standing as far away from the battery as practical.
- A marine (boat) battery must be removed and charged on shore. To charge it on board requires equipment specially designed for marine use.
- Replace dust cap or remove cable clamps when done charging.



*Pictured: Typical DC charging clamp connections for a precharge status (with charger unplugged from AC Power), charging or just maintaining a fully charged battery with the DC charging clamps out of vehicle.*

## Easy Set up - Charging w/ Ring Terminal Cables

**⚠ WARNING - FAILURE TO FOLLOW INSTRUCTIONS MAY CAUSE SERIOUS INJURY, DAMAGE OR EXPLOSION, ALWAYS SHIELD EYES WITH SAFETY GLASSES.**

FOLLOW THESE STEPS WHEN BATTERY IS INSTALLED IN A VEHICLE OR OUTSIDE VEHICLE. A SPARK NEAR BATTERY MAY CAUSE BATTERY EXPLOSION. TO REDUCE RISK OF A SPARK NEAR A BATTERY:

- Connect the interchangeable ring terminal cable by disconnecting the charging clamps at the Trailer Pin Style Connector.
- Check polarity of battery posts. POSITIVE (POS, P, +) battery post usually has a larger diameter than the NEGATIVE (NEG, N, -) post.
- Connect the RED POSITIVE (POS, P, +) ring terminal to the POSITIVE (POS, P, +) post of battery.
- Connect the BLACK NEGATIVE (NEG, N, -) ring terminal to the NEGATIVE (NEG, N, -) post of battery.
- Do not face battery directly when making final connection.
- Plug charger into a properly grounded GFCI protected outlet.
- When disconnecting charger, always do so in reverse sequence of connecting procedure and break first connection while standing as far away from the battery as practical.
- A marine (boat) battery must be removed and charged on shore. To charge it on board requires equipment specially designed for marine use.
- Replace dust cap when done charging.



*Pictured: Typical charger and maintainer cable assembly connections for auto-maintaining a fully charged battery in or out of a vehicle with a hardwired cable connection. Cable supplied.*

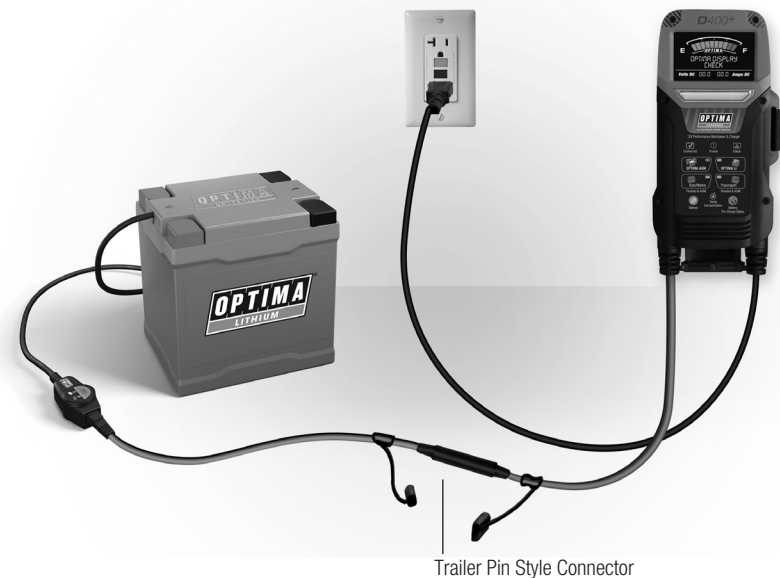
## Easy Set up - Charging w/ OPTIMA® HYPERCORE LITHIUM™

**⚠ WARNING - FAILURE TO FOLLOW INSTRUCTIONS MAY CAUSE SERIOUS INJURY, DAMAGE OR EXPLOSION, ALWAYS SHIELD EYES WITH SAFETY GLASSES.**

For charging or auto-maintaining an OPTIMA® LiFePO4 battery, please find below the steps for setting up your charger.

- Connect the OPTIMA® LiFePO4 Cable (comes with the charger) to the OPTIMA® D400+ DC Cable through the AUX connection.
- Connect the OPTIMA® POWERLINK Cable (comes with the battery) to the OPTIMA® LiFePO4 battery.
- Connect the OPTIMA® LiFePO4 Cable to the OPTIMA® POWERLINK Cable.
- Plug the charger into a properly grounded GFCI-protected outlet.
- Replace dust cap or remove OPTIMA® LiFePO4 cable when done charging.

*Note: DO NOT connect the charger directly to the OPTIMA® LiFePO4 battery terminals using DC Clamps or Ring Terminal Cables. Always charge the OPTIMA® LiFePO4 battery through the OPTIMA® LiFePO4 Cable and the OPTIMA® POWERLINK Cable.*



*Pictured: Typical DC charging clamp connections for a precharge status (with engine OFF and charger plugged into AC power), charging or auto-maintaining an OPTIMA® LiFePO4 battery in or out of a vehicle through the OPTIMA® POWERLINK Cable.*



## Pre-Charge Battery Status

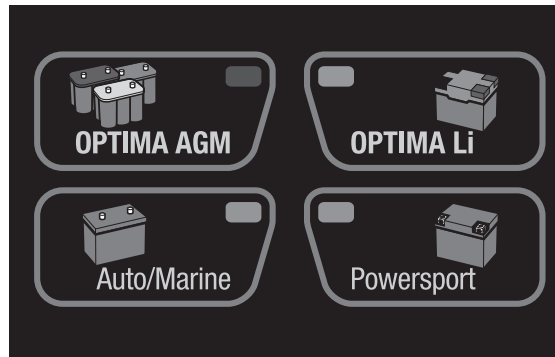
**Note: Vehicle engine should be off, battery charger should be plugged into AC.**

This quick and easy feature allows you to understand your battery's state of charge before charging it. **To use this feature, press the Pre-Charge Status button with the charger plugged into AC.** The Fill Gauge will provide the current state of battery in % of charge with the corresponding battery type LED illuminated. User can change battery type in Analyze Mode following the instructions shown in page 14.

*Note: If the user did not set a battery type, this Pre-Charge Battery Status function will be disabled.*

## Quick Set Charging by Battery Type

From the battery type selector choose the BATTERY TYPE that matches the battery type descriptions as outlined on page 15 titled: "Charging Battery Types & Approximate Charge Times."



## Operation

1. Connect charger to battery
2. Plug in the AC power
3. Select battery type or pre-charger status button
4. Observe the charger turns blue while it is analyzing your battery.
5. After 1 minute observe the charger transitions to charge mode and it will take it from there.

If at any time a fault is identified by the charger, the following will appear:

"Check" icon  will illuminate red.

OPTIMA® D400+ charger will stop outputting.

**If "Check" icon  is illuminated solid.**

1. Reverse Polarity - Wiring Fault

Check connection polarity. Verify RED POSITIVE (POS, P, +) cable clamp or ring terminal is connected to RED POSITIVE (POS, P, +) post.

2. Check Connection or Battery < 2.5V

Verify both leads from the charger are connected to the battery.

Verify Trailer Pin Style Connector is securely and tightly plugged in.

Battery voltage may be too low to accept a charge. Return battery to dealer for testing. If battery is under 2.5VDC, another battery may be used in parallel to start the charging process, then be removed. Verify auxiliary ring terminal connector is securely plugged into the charger.

3. Out of Range - Battery > 15.5V

Battery voltage is high. Verify there is only one 12V battery connected to the charger.

Verify there is not another charger or maintainer source that is connected or on. Remove if either is present.

Ensure engine is off. Have a dealer check your battery and/or charging system.

4. Charger Temperature Out-of-Range

Ambient temperature and/or unit temperature are too high/low for the charger to operate at this time. Operating temperature is -20°C to 50°C

Charger will automatically resume charging when appropriate.

If recharging a deeply discharged battery, it is not uncommon for the charger to enter the hi-temp fault condition in order to protect the charger and battery. Charger will automatically resume charging in 3 to 15 minutes depending on the ambient temperature and condition of the battery.

Do not cover or enclose unit - Use either by hanging with the wall organizer bracket or on a flat surface with the kickstand.

**If "Check" icon  is pulsing.**

1. Unable to Charge - Check Battery

Restart charger once. Do not repeat more than once. If fails again, return battery to dealer for testing.

Re-verify battery is a 12 Volt battery versus a 6 Volt battery or other unsupported voltage.

**If "Connected" icon  + "Power" icon  + "Check" icon  are all blinking.**

1. Internal failure - Contact Customer Service

Contact Customer Service Support immediately. No further trouble shooting is expected from end users. There are no serviceable or replaceable items inside the charger.

### Other General Trouble Shooting Steps:

*Note 1: To reset the charger at any time, unplug the charger and wait until the BLUE AC power indicator is completely off. For typical negative chassis ground applications, disconnect the battery by removing the BLACK NEGATIVE (NEG, N, -) cable clamp followed by the RED POSITIVE (POS, P, +) cable clamp. Re-connect your battery, apply AC power per the guidelines of this manual and re-start the function of your choice.*

*Note 2: For instances where the charger is properly connected and the AC power cord is plugged into a properly protected 120 VAC GFCI outlet, there are NO LEDs ON, and the status bar is not on, follow these steps:*

1. Confirm the GFCI protected outlet has not tripped due to a ground fault.
2. Confirm there is 120 VAC present by plugging in a table lamp or meter.
3. Reset and apply power to resume using the OPTIMA® D400+.
4. If power is present and there are still no LEDs ON and the status bar is not ON, then follow the customer service return steps on page 25 for service.

Store your OPTIMA® D400+ in a dry safe location, and inspect all cables before use. Should the AC power cord, plug or the DC cables be damaged in any way, do not attempt to service. Follow the return instructions in the customer service and warranty section of this manual.

### Technical Specifications:

AC Input:	100 to 120 VAC, 60 Hz, 1.3 Amps
DC Output:	Up to 14.75 VDC Digitally & Temperature Controlled
Charge Mode:	Up to 4 Amps
Battery Types:	OPTIMA® LiFePO4, AGM and Flooded (Lead Acid) Batteries - 12V OPTIMA® Lithium Iron Phosphate (LiFePO4) Batteries - 12V OPTIMA® and High Performance AGM Batteries - 12V Standard Flooded Lead Acid Batteries
Cables:	6' AC and DC Cables
Size:	8.2" x 4" x 2.8"

This device complies with part 15B of the FCC rules. Operation is subject to the following two conditions:  
(1) This device may not cause harmful interference, and  
(2) This device must accept any interference received, including interference that may cause undesired operation.

Certified to:  
UL 1236  
CSA C22.2 No. 107.2  
FCC Part 15 Class B



OPTIMA Chargers, OPTIMA Batteries, The Ultimate Power Source, SPIRALCELL Technology, REDTOP, YELLOWTOP, BLUETOP and ORANGETOP are trademarks of Clarion, Inc.



# Technical Support and Warranty

**Product Registration:** Please register your purchase at [www.optimabatteries.com](http://www.optimabatteries.com), at the "Register your OPTIMA™" link.

## **OPTIMA® D400+ Technical and Warranty Support**

Please DO NOT return your product to the dealer from which it was purchased.

In the event you need technical or warranty support please call OPTIMA® customer service at 1-888-867-8462 (888-8OPTIMA) between 9am-5pm (CST) Monday through Friday, or via email at [www.optimabatteries.com](http://www.optimabatteries.com).

All returns must first be authorized by OPTIMA®. Units returned without an RMA# may be misplaced or delayed.

LIMITED WARRANTY - OPTIMA® Batteries, Inc. (the "Manufacturer") warrants this battery charger (the "product") for three years from the date of original purchase at retail against defects in material or workmanship that may occur under normal use and care.

If the product is not free from defects in material or workmanship, manufacturer's obligation under this warranty is solely to repair or replace your product with a new or reconditioned product, at the option of the manufacturer. It is your obligation to forward the product, along with a copy of the original mechanically-produced (e.g. computer printed) purchase receipt postage prepaid to the manufacturer or its authorized representative, in order for repair or replacement to occur. Hand-written receipts will not be accepted. This limited warranty is not transferable.

Manufacturer does not provide any warranty for any accessories used with this product that are not manufactured by OPTIMA® Batteries and approved for use with this product. This limited warranty is void if the product is misused, subjected to careless handling, opened, repaired, or modified by anyone other than manufacturer, or if this product is resold through an unauthorized retailer. This product is not intended for commercial use, and such use will void your warranty.

Manufacturer makes no other warranties, including but not limited to, express, implied or statutory warranties, including without limitation, any implied warranty of merchantability or implied warranty of fitness for a particular purpose. Further, manufacturer shall not be liable for any incidental, special or consequential damage claims incurred by purchasers, users or others associated with this product, including, but not limited to, lost profits, revenues, anticipated sales, business opportunities, goodwill, business interruption and any other injury or damage. Any and all such warranties, other than the limited warranty included herein, are hereby expressly disclaimed and excluded.

Some states do not allow the exclusion or limitation of incidental or consequential damages or length of implied warranty, so the above limitations or exclusions may not apply to you. This warranty gives you specific legal rights and it is possible you may have other rights which vary from this warranty.

THIS LIMITED WARRANTY IS THE ONLY EXPRESS LIMITED WARRANTY AND THE MANUFACTURER NEITHER ASSUMES OR AUTHORIZES ANYONE TO ASSUME OR MAKE ANY OTHER OBLIGATION TOWARDS THE PRODUCT OTHER THAN THIS WARRANTY.

### **OPTIMA**

5757 N. Green Bay Ave.  
Glendale, WI 53209-4408  
888.8OPTIMA (888.867.8462)  
[www.optimabatteries.com](http://www.optimabatteries.com)



Introduction.....	30
Instructions importantes concernant la sécurité.....	31-35
Manipulation des batteries.....	36
Description générale de l'appareil.....	37-38
Apprendre à connaître votre chargeur.....	39-42
Chargement des types de batteries et temps de charge approximatif.....	43
Installation.....	44
Installation facile.....	45-48
a. Chargement avec les pinces c.c. dans un véhicule.....	45
b. Chargement avec les pinces c.c. hors d'un véhicule.....	46
c. Chargement avec câbles à cosse ronde.....	47
d. Chargement avec OPTIMA® HYPERCORE LITHIUM™.....	48
Utilisation du réglage rapide.....	49
Dépannage.....	50-51
Entreposage, entretien.....	52
Caractéristiques techniques.....	52
Support technique et garantie.....	53

Nous vous remercions de votre récent achat du chargeur et mainteneur de performance OPTIMA® D400 + 12 V. Notre dernier concept le plus novateur à ce jour redéfinit le chargeur et mainteneur de performance 12 V avec des fonctionnalités à la pointe de l'industrie inédites. Les chargeurs de la série + sont approuvés pour le chargement des nouvelles batteries au OPTIMA® HYPERCORE LITHIUM™.

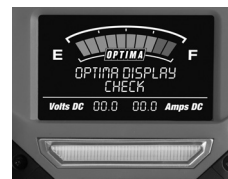
Le nouveau D400+ se targue d'une composition étanche et d'un enrouleur de câbles intégré, et une conception de l'appareil permet une utilisation très versatile ; placez-le où vous le souhaitez ou montez-le au mur grâce à notre support mural de rangement.

Mettant à profit les dernières innovations en termes de technologie de conversion de puissance basée sur l'utilisation de la commande numérique et de logiciel, le D400+ est entièrement automatique. Il comprend les éléments suivants : une barre à DEL d'état de chargement avec 4 lignes de couleurs bien visibles, un écran alphanumérique affichant l'état de chargement de la batterie, et 4 profils de performance sélectionnables, et prend en charge tout un éventail de batteries : AGM, OPTIMA® HYPERCORE LITHIUM™ et à électrolyte liquide normales.

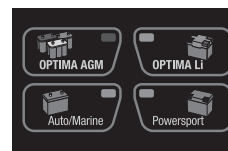
Conçu pour optimiser les performances de puissance de réserve et pour allonger la durée de vie de la batterie, le D400+ maintient les batteries 12 V pleinement chargées pendant les périodes de stockage à court et à long terme. Notre mode écoénergétique permet de surveiller et maintenir la batterie lorsqu'elle est en état de charge pleine tout en réduisant de manière significative la consommation de puissance secteur, résultant en une réduction des coûts opérationnels.

Pour des applications 12 V avec automobile, motocyclette, marine, tracteur, sports motorisés, véhicules récréatifs et plus.

### Caractéristiques de conception de meilleure qualité du D400+ :



Barre d'état de chargement à DEL  
Affiche les notifications d'analyse, de chargement, de conditionnement, de maintien automatique et de vérification de la batterie (anomalie). L'état de la batterie peut également être analysé dans le détail à l'aide de l'écran alphanumérique. Celui-ci affiche l'état de chargement de la batterie, les messages d'état, ainsi que la tension et les mesures actuelles.



Profils du sélecteur numérique du type de batterie  
Batteries OPTIMA® LiFePO4, AGM et batteries à électrolyte liquide normales.



Enrouleur de câble intégré  
Permet de garder les câbles en place pendant l'utilisation et le stockage. Des sangles d'attache réutilisables pour maintenir les câbles en place.



Montage mural ou portatif  
Utiliser le support avec les supports pour câbles à pinces et à cosses rondes pour le montage mural ou pour l'utiliser comme mainteneur portatif.

### CONSERVER CES INSTRUCTIONS

Ce manuel contient des instructions importantes concernant la sécurité et le fonctionnement du D400+.

### ATTENTION

Pour réduire le risque de blessure, charger uniquement des batteries au plomb-acide et OPTIMA® LiFePO4. Les autres types de batteries risquent d'éclater et de provoquer des blessures.

### AVERTISSEMENT

Pour réduire le risque de blessure pour l'utilisateur ou de dommage à la propriété, l'utilisateur doit lire et comprendre le manuel d'instructions et tous les avertissements apposés sur le chargeur et les batteries avant l'utilisation.

Avant de brancher les batteries ou d'appliquer l'alimentation secteur, lire toutes les instructions ainsi que les inscriptions de mise en garde sur le chargeur de batterie, les câbles et les batteries.

### ATTENTION

Risque de choc électrique. Connecter uniquement à des prises protégées par disjoncteur de fuite de terre mises à la terre adéquatement.

Si les cordons ou les fils/câbles sont endommagés, renvoyer immédiatement l'appareil au complet à OPTIMA® pour le faire réparer.

## AVIS IMPORTANT : NOTIFICATION DE LA FCC CLASSE B PARTIE 15

Le chargeur de batterie embarqué a été conçu et vérifié conformément aux exigences de la réglementation FCC classe B partie 15. Ces règlements assurent une protection adéquate contre le brouillage préjudiciable lors de l'utilisation commerciale. Si, en milieu résidentiel, un brouillage de la réception TV ou radio est constaté, il suffit de débrancher l'appareil OPTIMA® de son alimentation secteur pour vérifier si le chargeur de batterie provoque le brouillage. Pour minimiser le risque de brouillage, l'utilisateur final peut explorer les méthodes suivantes :

- 1) Choisir un circuit d'alimentation secteur différent pour alimenter le chargeur de batterie embarqué.
- 2) Vérifier que la prise de courant est correctement mise à la terre.
- 3) Repositionner l'antenne de réception.
- 4) Acheter un filtre de ligne secteur séparé.
- 5) Changer le chargeur de place de telle manière qu'il soit à l'endroit le plus éloigné des appareils domestiques de réception : TV, radio, etc.



### AVERTISSEMENT

1. ATTENTION - RISQUE DE MÉLANGE DE GAZ EXPLOSIF
  - a. IL EST DANGEREUX DE TRAVAILLER A PROXIMITÉ D'UNE BATTERIE AU PLOMB. LES BATTERIES PRODUISENT DES GAZ EXPLOSIFS EN SERVICE NORMAL. IL EST AUSSI IMPORTANT DE TOUJOURS RELIRE LES INSTRUCTIONS AVANT D'UTILISER LE CHARGEUR ET DE LES SUIVRE À LA LETTRE.
  - b. Pour réduire le risque d'explosion, lire ces instructions et celles qui figurent sur la batterie. Lire attentivement toutes les étiquettes apposées sur les appareils et sur le moteur.
2. Ne pas utiliser le chargeur à moins que la tension de la batterie ne soit identique à la chimie de la batterie et à la tension de sortie nominale du chargeur.
3. L'utilisation d'un accessoire non recommandé ou non vendu par OPTIMA® peut entraîner un risque d'incendie, de choc électrique ou de blessures.
4. Afin de réduire le risque d'endommager la fiche et le cordon d'alimentation, tirer sur la fiche plutôt que sur le cordon pour déconnecter le chargeur.
5. N'utiliser un cordon prolongateur qu'en cas d'absolue nécessité. L'utilisation d'un cordon prolongateur inapproprié peut entraîner un risque d'incendie et de choc électrique. Si un cordon prolongateur doit être utilisé, vérifier que :
  - a. La fiche du cordon prolongateur comporte le même nombre de broches que la fiche du chargeur et que les broches sont de mêmes forme et taille.
  - b. Le cordon prolongateur est correctement câblé et en bon état électrique;
  - c. Seul un cordon prolongateur de classe industrielle / à usage industriel homologué UL ou CAS est utilisé. Avant l'utilisation, s'assurer que le cordon prolongateur n'est pas endommagé, que les broches ne sont pas tordues et qu'il ne présente aucune coupure. Remplacer le cordon prolongateur si celui-ci est endommagé. Toujours connecter le cordon prolongateur à la fiche du chargeur en premier. **Après avoir connecté le cordon prolongateur au chargeur, brancher le cordon prolongateur dans une prise 20 V c.a. à proximité et protégée par un disjoncteur de fuite de terre.** Consulter les recommandations du fabricant ci-après quant à la dimension appropriée des cordons prolongateurs avec mise à la terre homologués UL ou CSA.
    - i. Jusqu'à 15 m de longueur, utiliser un cordon prolongateur de calibre 18 AWG.
    - ii. Entre 15 m et 30 m de longueur, utiliser un cordon prolongateur de calibre 16 AWG.
    - iii. Entre 30 m et 45 m de longueur, utiliser un cordon prolongateur de calibre 14 AWG.
6. Ne pas utiliser le chargeur en cas d'endommagement ou d'une défaillance de l'isolation protectrice des câbles c.a. et c.c., des pinces de chargement, des porte-fusibles cc. et/ou des cosses rondes du mainteneur. Renvoyer le chargeur à OPTIMA® pour le faire réparer/vérifier immédiatement.
7. Ne pas utiliser le chargeur s'il a subi un coup violent, un impact direct, si on l'a laissé tombé ou s'il est autrement endommagé. Renvoyer le chargeur à OPTIMA® pour le faire réparer/vérifier immédiatement.
8. Ne pas démonter le chargeur. Un remontage incorrect peut entraîner un risque de choc électrique ou d'incendie. Si une réparation ou une vérification est nécessaire, communiquer avec le service à la clientèle d'OPTIMA® en composant le 1-888-867-8462 (888-8OPTIMA) entre 9 h et 17 h (HNC) du lundi au vendredi, ou par courriel à l'adresse

info@optimabatteries.com. Toute tentative de vérification, de réparation ou de modification non autorisée peut entraîner un risque de choc électrique, d'incendie ou d'explosion et annule la garantie.

9. Pour réduire le risque de choc électrique, débrancher le chargeur de la prise avant tout entretien
10. Ne pas exposer le chargeur à la pluie ni à la neige.

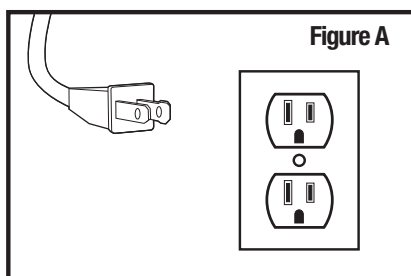
### 11. INSTRUCTIONS DE BRANCHEMENT DU CORDON D'ALIMENTATION

- a. La fiche doit être branchée dans une prise correctement installée et protégée par un disjoncteur de fuite de terre (DDFT).

#### **⚠ DANGER**

Ne jamais modifier le cordon d'alimentation C.A. ou la fiche du chargeur. Si la fiche ne s'adapte pas à la prise, faire installer une prise d'alimentation C.A. avec mise à la terre par un électricien qualifié. Une mauvaise connexion peut entraîner des risques de choc électrique.

- b. Ce chargeur fonctionne sur un circuit nominal de 120 V.



### 12. PRÉCAUTIONS PERSONNELLES

#### **⚠ ATTENTION**

- a. Prévoir la présence d'une personne dans l'environnement proche ou à portée de voix qui puisse venir en aide lorsque des travaux sont réalisés à proximité d'une batterie au plomb.
- b. Veiller à avoir de suffisamment de savon, d'eau et de bicarbonate de soude à portée de main en cas de contact de l'acide de la batterie avec la peau, les vêtements ou les yeux.
- c. Prévoir une protection vestimentaire, oculaire et des mains adéquate. Éviter de se toucher les yeux lors du travail à proximité d'une batterie.
- d. Si l'acide de batterie entre en contact avec la peau ou les vêtements, laver immédiatement avec de l'eau et du savon. Si l'acide pénètre dans les yeux, rincer immédiatement et abondamment avec de l'eau froide pendant 15 minutes au moins et obtenir des soins médicaux immédiatement.
- e. Ne JAMAIS fumer près de la batterie ou du moteur et éviter toute étincelle ou flamme nue à proximité de ces derniers.
- f. Faire preuve d'une grande prudence afin de réduire le risque de chute d'un outil métallique sur la batterie. Une chute d'outil peut provoquer une étincelle ou court-circuiter la batterie ou tout autre matériel électrique, ce qui peut entraîner une explosion ou un incendie.
- g. Enlever tout objet personnel en métal, notamment les bagues, bracelets, colliers, montres et bijoux lorsqu'on travaille à proximité d'une batterie. Une batterie peut provoquer un

courant de court-circuit suffisamment élevé pour souder une bague ou tout autre objet métallique, avec pour conséquence des brûlures graves.

- h. Utiliser le chargeur pour charger des batteries au plomb-acide et OPTIMA® LiFePO4. Le chargeur n'est pas conçu pour alimenter un système électrique basse tension autre que celui d'une application de démarrage de moteur. Ne pas utiliser le chargeur de batterie pour charger de piles sèches qui sont couramment utilisées dans les appareils électroménagers. Ces batteries risquent d'éclater et de provoquer des blessures et des dommages à la propriété.
- i. Ne JAMAIS charger une batterie gelée, endommagée ou qui fuit.
- j. Tenir toute personne, les enfants et les animaux de compagnie à l'écart des batteries et du chargeur pendant l'utilisation pour éviter des blessures graves, la mort, un incendie ou une explosion.
- k. Ne pas placer le chargeur dans le compartiment moteur ou près de pièces mobiles. Placer le chargeur aussi loin de la batterie que les câbles c.c. le permettent.
- l. Consulter le manuel du propriétaire du véhicule.

### 13. PRÉPARATION AVANT DE CHARGER UNE BATTERIE

#### **⚠ ATTENTION**

- a. Lorsqu'il est nécessaire de retirer une batterie d'un véhicule pour la charger, vérifier que le moteur est arrêté et que tous les accessoires dans le véhicule sont éteints, afin de ne pas provoquer d'arc électrique. Toujours déconnecter en premier la borne négative de la batterie reliée à la masse.
- b. Respecter toutes les mises en garde, tous les avertissements et toutes les instructions spécifiques du fabricant pendant la charge et les taux de charge recommandés. Ne jamais charger une batterie qui n'a pas de capuchons à événements de sécurité.
- c. S'assurer que la zone où se trouve le chargeur et la batterie est bien ventilée pendant la charge de la batterie.  
Si l'électrolyte entre en contact avec les yeux, ouvrir grand les yeux et rincer abondamment avec de l'eau fraîche et propre pendant 15 minutes au moins. Obtenir rapidement des soins médicaux.  
En cas d'ingestion d'électrolyte, boire de grandes quantités d'eau ou de lait. NE PAS faire vomir. Obtenir rapidement des soins médicaux.  
Neutraliser avec du bicarbonate de soude tout électrolyte renversé sur un véhicule ou sur la zone de travail. Après avoir neutralisé l'électrolyte, rincer et nettoyer la zone contaminée avec de l'eau.
- d. Nettoyer les bornes de la batterie. Faire preuve de prudence pour éviter tout contact d'un élément corrodé avec les yeux.
- e. Dans les batteries à électrolyte liquide dotées de capuchons amovibles, AJOUTER UNIQUEMENT DE L'EAU DISTILLÉE dans chaque pile jusqu'à ce que l'électrolyte atteigne les niveaux spécifiés par le fabricant de la batterie. Ne pas trop remplir. Pour une batterie sans entretien qui n'est pas dotée de capuchons amovibles, notamment les batteries à soupape, respecter toutes les instructions du fabricant sur la recharge.
- f. Déterminer la tension de la batterie en se reportant au manuel du propriétaire du véhicule et s'assurer que le chargeur est réglé pour le type correct de batterie 12 V. Consulter la section « Chargement des types de batteries et temps de charge approximatif ».
- g. Ne pas trop charger une batterie en sélectionnant un réglage pour un type de batterie incorrect ou en essayant de charger une batterie autre qu'une batterie 12 volts telle que

définie par les types de batteries 12 volts spécifiées dans ce manuel.

- h. Sélectionner le profil de batterie correct sur le chargeur pour la batterie correspondante. Ne pas sélectionner des profils pour batteries à électrolyte liquide (plomb-acide) ou AGM pour les batteries au lithium-ion. Les profils de batteries à électrolyte liquide (plomb-acide) et AGM ne sont pas optimisés pour la charge de batteries au lithium-ion et pourraient engendrer des performances de qualité inférieure, réduire la durée de vie des batteries, causer un incendie ou des dégâts matériels. Sélectionner uniquement un profil OPTIMA® Li pour les batteries OPTIMA® LiFePO4.
- i. La batterie peut devenir surchargée et représenter un danger en cas de mauvais profil ou d'un échec ou une défaillance du système de chargement. Manquer de vérifier ou entretenir le système de chargement peut causer un incendie, une explosion ou des dégâts matériels.
- j. Faire preuve de prudence lors du chargement de batteries qui ont été surchargées.
- k. Arrêter le chargement et contacter le support technique si la batterie fuit, ou émet à tout moment une odeur, des gaz, de la fumée, ou si elle devient chaude ou gonfle/devient déformée.
- l. Les batteries au lithium-ion n'ont pas d'« effet de mémoire ». Les décharger complètement avant la charge initiale, ou les décharger de manière périodique, n'est pas nécessaire et pourrait réduire leur durée de vie.
- m. La batterie devrait être installée de sorte qu'elle ne soit pas exposée à une chaleur excessive (au-delà de 60 °C/140 °F). Éviter par exemple de l'installer à proximité d'un collecteur d'échappement. Une mise en stockage répétée et une utilisation à des températures excessives peuvent réduire la durée de vie de la batterie. Protéger contre la chaleur ou installer la batterie loin des sources de chaleur excessive telles qu'un collecteur d'échappement ou composants similaires.
- n. Les batteries OPTIMA® au lithium-ion comprennent un système de gestion des batteries (BMS) intégré permettant la désactivation de la batterie en cas d'anomalie, comme des températures ou tensions trop basses/élevées, ou un court-circuit. Consulter le manuel du fabricant de la batterie pour les cas d'anomalie.

#### 14. EMPLACEMENT DU CHARGEUR

##### ATTENTION

- a. Placer le chargeur aussi loin de la batterie que les câbles c.c. le permettent.
- b. Ne jamais placer le chargeur directement sous la batterie à charger ou au-dessus de cette dernière. Les gaz ou les fluides qui s'échappent de la batterie peuvent entraîner la corrosion du chargeur ou l'endommager.
- c. Ne pas faire fonctionner le chargeur dans un espace clos et/ou ne pas gêner la ventilation.
- d. Ne jamais laisser l'acide de la batterie couler sur le chargeur lors de la mesure de la densité de l'électrolyte ou du remplissage d'une batterie.
- e. Ne pas poser une batterie sur un chargeur.
- f. Ne pas installer au-dessus ou directement sur des surfaces combustibles.

#### 15. PRÉCAUTIONS DE CONNEXION C.C.

##### ATTENTION

- a. Connecter et déconnecter les pinces de sorties c.c. seulement après avoir retiré le cordon d'alimentation de la prise électrique. Ne jamais mettre les pinces en contact l'une avec l'autre.
- b. Fixer les pinces de chargement à la batterie et au châssis tel qu'indiqué de la page 45 à la page 48 de ce manuel.

LORS DE LA MANIPULATION DES BATTERIES, TOUJOURS LIRE ET RESPECTER LES AVERTISSEMENTS, LES INSTRUCTIONS ET LES ÉTIQUETAGES DE MISE EN GARDE DU FABRICANT DE LA BATTERIE

### DANGER D'EXPLOSION DES BATTERIES

**⚠ DANGER / POISON**

 <b>PORTER UNE PROTECTION OCULAIRE CAR LES GAZ EXPLOSIFS PEUVENT ENTRAÎNER LA CÉCITÉ OU DES BLESSURES</b>	 <b>ÉTINCELLES, FLAMMES, CIGARETTES INTERDITES</b>	 <b>L'ACIDE SULFURIQUE PEUT PROVOQUER LA CÉCITÉ OU DES BRÛLURES GRAVES</b>	 <b>RINCER IMMÉDIATEMENT LES YEUX AVEC DE L'EAU, OBTENIR RAPIDEMENT DES SOINS MÉDICAUX</b>
---	--	--	--

CONSERVER HORS DE PORTÉE DES ENFANTS. NE PAS RENSERVER. CONSERVER LES CAPUCHONS À ÉVÉNEMENTS AMOVIBLES BIEN FERMÉS ET DE NIVEAU.

Les batteries contiennent de l'acide sulfurique et génèrent un mélange gazeux explosif d'hydrogène et d'oxygène. La décharge automatique générant de l'hydrogène gazeux même lorsque la batterie n'est pas utilisée, veiller à entreposer et à utiliser la batterie dans un lieu bien ventilé. TOUJOURS porter des lunettes de sécurité homologuées ANSI Z87.1 (norme américaine) et un écran facial ou des lunettes antiéclaboussures lorsqu'on travaille sur ou à proximité des batteries.

- Protéger toujours adéquatement les yeux, le visage et les mains.
- Ne jamais essayer de charger une batterie qui est visiblement endommagée.
- Ne pas essayer de charger une batterie gelée.
- Veiller à avoir de suffisamment de savon, d'eau et de bicarbonate de soude à portée de main en cas de contact de l'acide de la batterie avec la peau, les vêtements ou les yeux.
- Conserver la batterie à l'écart de toute étincelle, de toute flamme et de toute cigarette.
- Conserver les capuchons à événements amovibles bien fermés et de niveau sauf lors de la vérification du niveau de l'électrolyte.
- Ne jamais essayer d'ouvrir une batterie qui n'est pas équipée d'événements amovibles.
- Vérifier que la zone de travail est bien ventilée.
- Ne jamais se pencher au-dessus d'une batterie durant le démarrage, la vérification ou le chargement.
- Faire preuve de prudence lors de l'utilisation d'outils ou de conducteurs métalliques afin de ne pas provoquer de courts-circuits ni d'étincelles.
- Vérifier que les câbles du chargeur vers la batterie ne sont ni cassés, ni effilochés, ni desserrés.
- Si la batterie devient chaude, ou si un dégagement brusque de gaz ou d'électrolyte se produit, arrêter immédiatement le chargeur et demander au concessionnaire local de tester la batterie.

### MANIPULATION DE L'ACIDE DE BATTERIE

L'acide de batterie, ou électrolyte, est une solution d'eau et d'acide sulfurique toxique qui peut détruire les vêtements et brûler la peau. Faire preuve d'une grande prudence lors de la manipulation de l'électrolyte et conserver une solution de neutralisation de l'acide - par exemple du bicarbonate de soude ou de l'ammoniaque domestique mélangé à de l'eau - à portée de main. Lors de la manipulation des batteries :

- Toujours protéger les yeux, le visage et les mains de manière adéquate.
- Si l'électrolyte jaillit et entre en contact avec les yeux, ouvrir grand les yeux et les rincer abondamment avec de l'eau fraîche et propre pendant 15 minutes au minimum. Obtenir rapidement des soins médicaux.
- En cas d'ingestion d'électrolyte, boire de grandes quantités d'eau ou de lait.
- NE PAS faire vomir. Obtenir rapidement des soins médicaux.
- Neutraliser avec du bicarbonate de soude tout électrolyte déversé sur un véhicule ou sur la zone de travail. Après avoir neutralisé l'électrolyte, rincer et nettoyer avec de l'eau la zone contaminée.





### Caractéristiques du mainteneur de performances 12 V D400+

Le chargeur OPTIMA® D400+ possède des caractéristiques et une technologie de première qualité facilitant l'entretien, le chargement et la maintenance des batteries comme jamais auparavant. Les caractéristiques pratiques comprennent : ensembles de câbles POWER LINK, à pinces et à cosses rondes OPTIMA® Li interchangeables et à connexion rapide. Le support mural de rangement fourni vous permet de garder votre D400+ loin du sol et de ranger les ensembles de câbles lorsqu'ils ne sont pas utilisés.

Destiné aussi bien au professionnel qu'à l'amateur et au collectionneur, le D400+ comprend également 4 types de profils de performance de batterie à utiliser avec toutes les batteries 12 V : OPTIMA® LiFePO4, AGM, Auto/Marine à électrolyte liquide, et powersports au plomb-acide.

Le nouveau D400+ se targue d'une composition étanche et d'un enrouleur de câbles intégré, en plus d'une conception de corps double permettant une utilisation portable ou avec montage mural grâce à notre support mural de rangement.

### Description du chargement multiphase

Améliore les performances de votre batterie et en allonge la durée de vie. Le chargeur et mainteneur de performances 12 V OPTIMA® D400+ emploie les techniques les plus avancées pour le chargement numérique multiphase. Avec ses 4 modes entièrement automatiques, votre chargeur et mainteneur de performances 12 V OPTIMA® D400+ enchaîne les phases 1 à 4 décrites ci-dessous :

**Phase 1 - Contrôle de validité du système (Système Check) et analyse des batteries :** Pendant cette phase, la barre d'état clignote en bleu. Cela indique que le OPTIMA® D400+ réalise une autovérification, analyse toutes les connexions de batterie et vérifie que toutes les batteries peuvent être chargées. Le voyant à DEL « Connected » (Connecté) s'allume en vert pour indiquer une bonne connexion.

*Remarque : Il est possible de changer le type de batterie lorsque le OPTIMA® D400+ est en mode d'analyse. Pour ce faire, suivre les étapes décrites dans la section « Sélection d'un profil de charge » à la page 42.*

Ce mode prend environ 1 minute.

**Phase 2 – Chargement :** Pendant ce mode, la barre de chargement est allumée en rouge fixe. Le OPTIMA® D400+ utilise toute l'intensité de chargement disponible (en fonction de la température) jusqu'à ce que la tension de la batterie atteigne 14,4 V c.c. (réglage d'usine de la batterie OPTIMA® LiFePO4).

**Phase 3 – Conditionnement :** Pendant ce mode, la barre d'état est allumée en ambre fixe. Les batteries resteront à 14,4 V c.c. (réglage d'usine de la batterie OPTIMA® LiFePO4) pour terminer la charge tout en conditionnant la batterie connectée. Une fois le chargement terminé, le chargeur OPTIMA® D400+ passe en mode d'entretien automatique (auto maintain).

**Phase 4 – Entretien automatique (Mode écoénergétique) :** Pendant ce mode, la barre d'état devient vert fixe, indiquant que les phases 2 et 3 (chargement et conditionnement) sont terminées. Le OPTIMA® D400+ passe alors en mode entretien automatique (mode économie d'énergie). Il contrôlera les batteries et en effectuera un entretien automatique uniquement lorsque cela est nécessaire, afin de conserver la charge maximum des batteries.

**Mode d'anomalie :** Si une anomalie survient durant l'une des phases susmentionnées, le OPTIMA® D400+ passe en mode d'anomalie et entraîne l'arrêt des sorties de courant. La barre d'état s'éteint et le voyant de vérification devient rouge. Une condition d'anomalie peut indiquer une mauvaise connexion, une polarité inverse, une batterie ayant une tension inférieure à 2,5 V c.c. ou supérieure à 15,5 V c.c. L'écran alphanumérique fournira davantage d'informations.

Si le OPTIMA® D400+ ne peut pas charger la batterie, par exemple lorsqu'une batterie de 6 V est connectée (au lieu d'une batterie de 12 V), le voyant à DEL de vérification du système clignote graduellement en rouge.

Le chargeur OPTIMA® D400+ revient à la phase 1 si toutes les anomalies sont corrigées.

### Caractéristiques sécuritaires et utilisations supplémentaires :

Technologie de connexion anti-étincelle.

Protection contre l'inversion de polarité et la surchauffe.

Vue d'ensemble avec barre d'état de charge, écran alphanumérique, batterie connectée et icônes de vérification des batteries.

## Apprendre à connaître votre chargeur

Cette section du manuel est conçue pour vous permettre une compréhension totale des caractéristiques, des fonctions et de l'utilisation de votre OPTIMA® D400+.



## Apprendre à connaître votre chargeur

### Dispositif

1. Barre lumineuse d'état de charge
2. DEL de connexion
3. DEL d'alimentation
4. DEL de vérification
5. Bouton d'état de précharge
6. Moniteur de remplissage d'état de charge
7. Boutons de sélection de batterie
8. Bouton de mise en sourdine
9. Compensation de temp.
10. Rangement du câble sur l'appareil
11. Crochet adaptable sur dispositif de ce crochet pratique permet de suspendre l'appareil au système verrouillage de capot et béquille
12. Support de rangement mural

### Fonction

Affiche la couleur correspondante pour les modes Analyser, Chargement, Conditionnement et Entretien automatique.  
 Analyser : bleu clignotant graduel  
 Chargement : rouge fixe  
 Conditionnement : ambre fixe  
 Entretien automatique : vert fixe  
 Anomalie : Désactivé

S'allume en vert lorsque le chargeur est connecté à une batterie.  
 S'allume en bleu lorsque l'alimentation secteur est présente.

Une DEL d'avertissement de vérification s'allume en rouge uniquement s'il y a un problème de connexion ou de batterie nécessitant l'intervention de l'utilisateur.

Avant de charger la batterie, afficher le niveau de charge de la batterie.  
 Voyant avec dix segments d'état de charge : affiche l'état du niveau de charge en incréments de 10 %.

Sélection des profils de charge par type de batterie (OPTIMA® LiFePO4, AGM, Auto/Marine, Powersports).

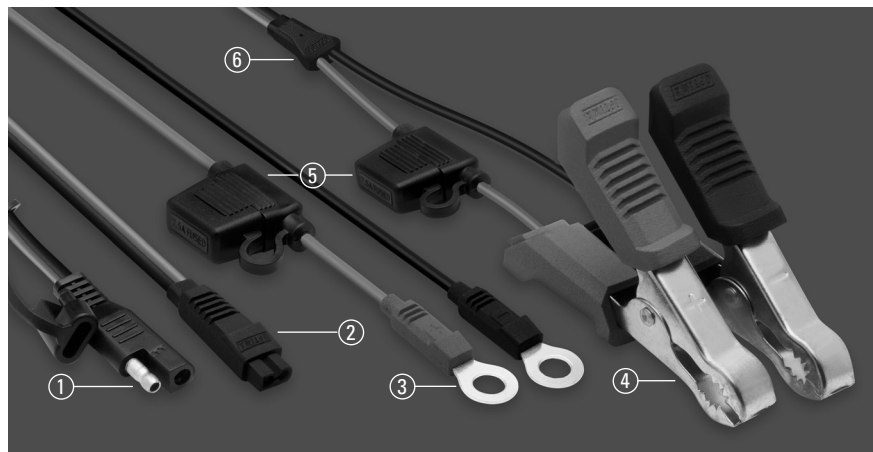
Met en sourdine le haut-parleur d'état.

Indique que la compensation de tension et de température est active.

Permet de ranger les câbles d'alimentation secteur et c.c. lorsqu'ils ne sont pas utilisés.

Ce crochet pratique permet de suspendre l'appareil au système de verrouillage de capot ou à toute autre partie d'un véhicule. Il peut aussi faire office de béquille en posant l'appareil sur une surface dure et plane.

Support mural de rangement pratique, avec vis de montage incluses.



## Dispositif

1. Connexion de sortie CC

2. Connecteur OPTIMA® LiFePO4

3. Cosses rondes

4. Pinces de connexion

5. Porte fusible et cache de fusible

6. Séparateur en Y

## Fonction

Le produit incorpore un connecteur à broches style remorque (compatible avec les générations précédentes de chargeurs OPTIMA®). Ce connecteur permet une connexion rapide et facile aux 3 différents câbles c.c. inclus avec le chargeur OPTIMA® D400+ pour diverses applications.

Le connecteur OPTIMA® LiFePO4 sur mesure permet la connexion à la batterie au lithium phosphate de fer OPTIMA® HYPERCORE LITHIUM™ (LiFePO4).

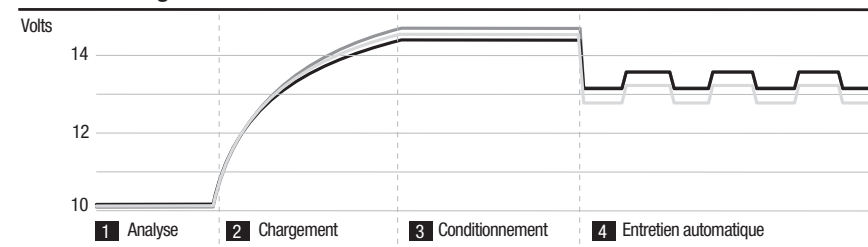
Les cosses rondes de 15,16 mm OD et 8,6 mm ID permettent une fixation sécuritaire aux différentes batteries pour une connexion permanente.

Pince robuste nickelée brillante. Poignées en caoutchouc robustes moulées en rouge et noir.

Porte fusible résistant à l'eau avec mini fusible à lame de norme industrielle ATC inclus.

Insérer le bloc Y moulé.

## Profil de charge



## Sélectionner un profil de charge

**⚠ ATTENTION :** Connecter le chargeur à la batterie avant d'appliquer l'alimentation secteur.

**⚠ ATTENTION :** Couper la tension secteur avant de déconnecter le chargeur de la batterie.

*Remarque : L'utilisateur doit sélectionner un type de batterie lors de sa première utilisation de l'OPTIMA® D400+. Aucun type de batterie n'est sélectionné par défaut en usine. Une fois qu'un type de batterie est sélectionné, l'OPTIMA® D400+ conservera ce type de batterie, à moins que l'utilisateur ne le modifie.*

Le OPTIMA® D400 est conçu expressément pour les batteries 12 volts.

**Veillez utiliser le tableau ci-dessous pour connaître votre type de batterie avant d'effectuer une sélection de réglage rapide de « profil de chargement selon type de batterie ».**

Veillez utiliser le tableau suivant pour comprendre pour charger et entretenir votre batterie.

*Remarque : Le chargeur OPTIMA® D400+ est conçu pour charger des petites batteries, comme la batterie OPTIMA® LiFePO4. L'OPTIMA® D400+ est conçu pour entretenir de batteries de auto/camion pendant des temps de stockage longs comme courts. Toutefois, l'OPTIMA® D400+ n'est pas conçu pour charger ou entretenir des batteries de grande taille telles que les batteries 4D ou 8D.*

Icône de réglage rapide	Type de batterie	Description du type de batterie	Capacité nominale approximative en ampère-heure	Temps de charge approximatifs
Profil 1 OPTIMA® Li	Batteries OPTIMA® HYPERCORE LITHIUM™	Batteries OPTIMA® ORANGETOP 12 V LiFePO4 (phosphate de fer lithié)	3-30 Ah	Jusqu'à 12 heures
Profil 2 OPTIMA® AGM	Batteries AGM (Absorbed Glass Mat) haute performance	Batteries AGM 12 V OPTIMA® - Batteries OPTIMA® REDTOP et BLUETOP avec un corps gris foncé - Batteries OPTIMA® YELLOWTOP et BLUETOP avec un corps gris clair - Autres batteries de démarrage AGM haute performance	35-100 Ah	Jusqu'à 30 heures
Profil 3 Auto/Marine	Batteries à électrolyte liquide normales et AGM (Absorbed Glass Mat)	Batteries 12 V à électrolyte liquide (plomb-acide) et AGM normales - Batteries à électrolyte liquide de moto, tracteur, powersports avec ou sans bouchons - Batteries AGM (grandes), automobile, marine, de camion et VR	Jusqu'à 40 Ah	Jusqu'à 30 heures
Profil 4 Powersport	Batteries à électrolyte liquide normales et AGM (Absorbed Glass Mat) (petites)	Batteries 12 V à électrolyte liquide (plomb-acide) et AGM normales - Batteries à électrolyte liquide (petites) de moto, tracteur, powersports avec ou sans bouchons - Batteries AGM (petites) de moto, tracteur et powersport	Jusqu'à 40 Ah	Jusqu'à 30 heures

**ATTENTION - AVIS IMPORTANT :** Vous ne connaissez pas votre type de batterie ? Recherchez sur Internet ou appelez votre concessionnaire muni du nom du fabricant de la batterie et de son numéro de modèle afin d'identifier votre type de batterie avant de la charger. Ne chargez pas les batteries 4D, 8D ou autres batteries haute capacité de 6, 8, ou 12 volts habituellement trouvées dans les voitures de golf, car elles sont généralement câblées pour des configurations en 24 volts, 36 volts ou 48 volts et avoir un chargeur dédié/spécifique à utiliser.

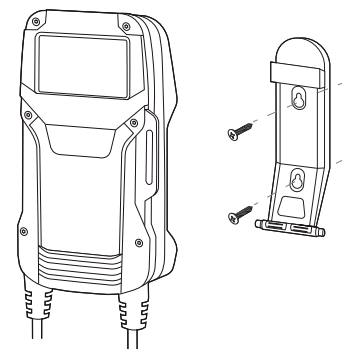
**Veillez lire toutes les par consignes de sécurité et de mise en garde apposées sur votre batterie par le fabricant et dans ce manuel avant d'utiliser votre OPTIMA® D400+.**

L'OPTIMA® D400+ est conçu pour être monté verticalement de manière permanente sur un panneau mural avec le support de rangement mural. Toujours monter l'OPTIMA® D400+ dans un compartiment ou un endroit où ce dernier peut être ventilé de manière adéquate pendant son utilisation.

NE PAS effectuer de branchements électriques sur l'OPTIMA® D400+ ou sur les batteries avant d'avoir exécuté les étapes suivantes :

## 10 Étapes faciles d'installation :

1. Choisir un emplacement d'installation qui permette une ventilation à l'air libre avec un minimum de 15 cm (6 po) d'espace dégagé autour et devant le chargeur de batterie. Ouvrir tous les compartiments batterie et moteur et ventiler pendant au moins 15 minutes avant de commencer l'installation. Vérifier que tous les câbles de batterie peuvent atteindre la batterie.
  2. Ne pas installer le chargeur dans des endroits revêtus de moquette, tapissés, en vinyle ou vernis. S'assurer que l'endroit où est placé le chargeur est accessible et que tous les voyants sont visibles. Installer cet appareil sur une surface dure.
  3. En se servant du support de rangement mural comme gabarit, marquer la position de chaque trou de montage. Vérifier que les vis de montage ne percent pas ou ne dépassent pas la paroi d'un réservoir opérationnel, d'un réservoir de carburant ou d'huile ni le fond du véhicule.
  4. À l'aide d'un foret de 3,15 mm (1/8 po) ou de 2,8 mm (7/64 po), percer les avant-trous aux (2) endroits marqués décrits à l'étape 3. Insérer les attaches pour cloison sèche. (Incluses)
  5. Placer le support de rangement mural sur les trous de montage et le fixer à l'aide d'un tournevis mécanique et 2 vis en acier inoxydable numéro 8. (Vis de montage incluses)
  6. Installer le chargeur sur le support de rangement mural.
  7. Connecter les câbles de sortie c.c. comme illustré sur les pages 45-48. Vérifier que les fils noirs sont branchés comme illustré sur le côté négatif de la batterie et que les fils rouges sont branchés sur le côté positif de la batterie.
- ⚠ ATTENTION :** Connecter le chargeur à la batterie avant d'appliquer l'alimentation secteur.
8. Vérifier que tous les branchements c.c. sont corrects, serrés et exempts de corrosion.
  9. Placer le cordon d'alimentation secteur à l'air libre sur le véhicule, à au moins 21 po (54 cm) du chargeur, des batteries et des tuyaux de remplissage du carburant.
  10. En premier lieu, brancher un cordon prolongateur à usage industriel homologué UL D400+. Après avoir branché le cordon prolongateur au chargeur, brancher le cordon prolongateur dans une prise à proximité et protégée par un disjoncteur de fuite de terre. Toujours retirer le cordon prolongateur de la prise en premier quand le chargement est terminé, puis débrancher le chargeur. Le branchement est maintenant terminé, les batteries sont en cours de chargement et les voyants DEL sont visibles.



Des avant-trous de 3,15 mm (1/8 po) ou de 2,8 mm (7/64 po) avec joint en silicone

## REMARQUE IMPORTANTE

- Maintenir une zone dégagée de 15 cm (6 po) sans obstruction autour du produit.
- Avant de procéder au montage, vérifier que la surface de montage dispose d'une résistance et d'une épaisseur adéquates.
- Vérifier l'absence de conduites électriques ou de carburant sur ou derrière la surface.



## Chargement avec les pinces c.c. dans un véhicule

**⚠ AVERTISSEMENT - LE NON-RESPECT DES INSTRUCTIONS PEUT PROVOQUER DES BLESSURES GRAVES, DES DOMMAGES OU UNE EXPLOSION. TOUJOURS SE PROTÉGER LES YEUX AVEC DES LUNETTES DE SÉCURITÉ.**

SUIVRE CES ÉTAPES LORSQUE LA BATTERIE EST INSTALLÉE DANS LE VÉHICULE. UNE ÉTINCELLE À PROXIMITÉ D'UNE BATTERIE PEUT PROVOQUER UNE EXPLOSION. POUR RÉDUIRE LE RISQUE D'ÉTINCELLE À PROXIMITÉ D'UNE BATTERIE :

- Positionner les cordons secteur et c.c. pour réduire les risques de dommages par le capot, les portes ou par les pièces en mouvement du moteur.
- Restez à l'écart des pales du ventilateur, des courroies, des poulies, et des autres pièces qui peuvent causer des blessures aux personnes.
- Vérifier la polarité des bornes de la batterie. La borne de la batterie POSITIVE (POS., P, +) dispose habituellement d'un diamètre plus grand que la borne NÉGATIVE (NEG., N, -).
- Déterminer si le véhicule dispose d'une mise à la masse négative ou positive. Ceci peut être effectué en identifiant la borne de batterie NÉGATIVE (NEG, N, -) OU POSITIVE (POS, P, +) qui est reliée au châssis.
- Pour un véhicule dont la masse est négative : connecter d'abord la pince ou la cosse ronde du câble ROUGE POSITIF (POS, P, +) à la borne positive de la batterie, puis connecter la pince ou la cosse ronde du câble NOIR NÉGATIF (NEG, N, -) au châssis du véhicule. Ne pas connecter la pince du câble négatif noir (NEG, N, -) à des conduites métalliques d'alimentation en carburant, ni à proximité du carburateur ni à la batterie elle-même. Se connecter à une pièce métallique de forte épaisseur du châssis ou du bloc de moteur.
- Pour un véhicule dont la masse est positive : connecter d'abord la pince ou la cosse ronde du câble NOIR NÉGATIF (NEG, N, -) à la borne négative de la batterie, puis connecter la pince ou la cosse ronde du câble ROUGE POSITIF (POS, P, +) au châssis du véhicule. Ne pas connecter la pince du câble rouge positif (POS, P, +) à des conduites métalliques d'alimentation en carburant, ni à proximité du carburateur, ni à la batterie elle-même. Se connecter à une pièce métallique de forte épaisseur du châssis ou du bloc de moteur.
- Brancher le chargeur dans une prise correctement mise à la terre et protégée par disjoncteur de fuite de terre.
- Lorsque la charge est terminée, débrancher toujours l'alimentation secteur, retirer la pince du châssis du véhicule, puis retirer la pince de la borne de la batterie.
- Consulter les instructions d'utilisation concernant la durée de charge.



*Illustré : Des connexions typiques des pinces de chargements c.c. pour un bilan de précharge (avec moteur arrêté et le chargeur débranché de l'alimentation secteur); un chargement ou seulement le maintien d'une batterie à pleine charge avec les pinces de chargement c.c. dans un véhicule.*

## Chargement avec les pinces c.c. hors d'un véhicule

**⚠ AVERTISSEMENT - LE NON-RESPECT DES INSTRUCTIONS PEUT PROVOQUER DES BLESSURES GRAVES, DES DOMMAGES OU UNE EXPLOSION. TOUJOURS SE PROTÉGER LES YEUX AVEC DES LUNETTES DE SÉCURITÉ.**

SUIVRE CES ÉTAPES LORSQUE LA BATTERIE EST INSTALLÉE DANS LE VÉHICULE. UNE ÉTINCELLE À PROXIMITÉ D'UNE BATTERIE PEUT PROVOQUER UNE EXPLOSION. POUR RÉDUIRE LE RISQUE D'ÉTINCELLE À PROXIMITÉ D'UNE BATTERIE :

- Vérifier la polarité des bornes de la batterie. c. La borne de la batterie POSITIVE (POS., P, +) dispose habituellement d'un diamètre plus grand que la borne NÉGATIVE (NEG., N, -).
- Connecter la pince ou cosse ronde du câble ROUGE POSITIF (POS, P, +) à la borne POSITIVE (POS, P, +) de la batterie.
- Connecter la pince ou cosse ronde du câble NOIR NÉGATIF (NEG, N, -) à la borne NÉGATIVE (NEG, N, -) de la batterie.
- Ne pas faire face à la batterie lors de la connexion finale.
- Brancher le chargeur dans une prise correctement mise à la terre et protégée par disjoncteur de fuite de terre.
- Pour toute déconnexion du chargeur, réaliser la procédure de déconnexion dans l'ordre inverse et effectuer la première déconnexion aussi loin de la batterie que possible.
- Une batterie pour le nautisme (bateau) doit être retirée et chargée sur le rivage. Le chargement d'une batterie à bord nécessite un équipement spécifiquement conçu pour une utilisation nautique.
- Replacer le cache antipoussière ou retirer les pinces du câble une fois le chargement terminé.



*Illustré : Des connexions typiques des pinces de chargements c.c. pour un bilan de précharge (avec le chargeur débranché de l'alimentation secteur); un chargement ou seulement le maintien d'une batterie à pleine charge avec les pinces de chargement c.c. hors d'un véhicule.*

## Installation facile – Chargement avec câbles à cosse ronde

**⚠ AVERTISSEMENT - LE NON-RESPECT DES INSTRUCTIONS PEUT PROVOQUER DES BLESSURES GRAVES, DES DOMMAGES OU UNE EXPLOSION. TOUJOURS SE PROTÉGER LES YEUX AVEC DES LUNETTES DE SÉCURITÉ.**

SUIVRE CES ÉTAPES LORSQUE LA BATTERIE EST INSTALLÉE DANS LE VÉHICULE. UNE ÉTINCELLE À PROXIMITÉ D'UNE BATTERIE PEUT PROVOQUER UNE EXPLOSION. POUR RÉDUIRE LE RISQUE D'ÉTINCELLE À PROXIMITÉ D'UNE BATTERIE :

- Connecter le câble à cosse ronde interchangeable en déconnectant les pinces de chargement au niveau du connecteur de remorque.
- Vérifier la polarité des bornes de la batterie. La borne de la batterie POSITIVE (POS., P, +) dispose habituellement d'un diamètre plus grand que la borne NÉGATIVE (NEG., N, -).
- Connecter la cosse ronde ROUGE POSITIVE (POS, P, +) à la borne POSITIVE (POS, P, +) de la batterie.
- Connecter la cosse ronde NOIRE NÉGATIVE (NEG, N, -) à la borne NÉGATIVE (NEG, N, -) de la batterie.
- Ne pas faire face à la batterie lors de la connexion finale.
- Brancher le chargeur dans une prise correctement mise à la terre et protégée par disjoncteur de fuite de terre.
- Pour toute déconnexion du chargeur, réaliser la procédure de connexion dans l'ordre inverse et effectuer la première déconnexion aussi loin de la batterie que possible.
- Une batterie pour le nautisme (bateau) doit être retirée et chargée sur le rivage. Le chargement d'une batterie à bord nécessite un équipement spécifiquement conçu pour une utilisation nautique.
- Remplacer le cache antipoussière une fois le chargement terminé.



*Illustré : Connexions fixes typiques des câbles du chargeur-mainteneur pour le maintien automatique d'une batterie à pleine charge dans un véhicule ou hors d'un véhicule avec une connexion câblée fixe. Câble fourni.*

## Installation faciles avec OPTIMA® HYPERCORE LITHIUM™

**⚠ AVERTISSEMENT - LE NON-RESPECT DES INSTRUCTIONS PEUT PROVOQUER DES BLESSURES GRAVES, DES DOMMAGES OU UNE EXPLOSION. TOUJOURS SE PROTÉGER LES YEUX AVEC DES LUNETTES DE SÉCURITÉ.**

Pour le chargement ou le maintien automatique d'une batterie OPTIMA® LiFePO4, se référer aux étapes suivantes pour la configuration de votre chargeur.

- Connecter le câble OPTIMA® LiFePO4 (inclus avec le chargeur) au câble c.c. OPTIMA® D400+ via la connexion AUX.
- Connecter le câble OPTIMA® POWERLINK (inclus avec la batterie) à la batterie OPTIMA® LiFePO4.
- Connecter le câble OPTIMA® LiFePO4 au câble OPTIMA® POWERLINK.
- Brancher le chargeur dans une prise correctement mise à la terre et protégée par disjoncteur de fuite de terre.
- Remplacer le cache antipoussière ou retirer le câble OPTIMA® LiFePO4 une fois le chargement terminé.

*Remarque : NE PAS connecter directement le chargeur aux bornes de la batterie OPTIMA® LiFePO4 à l'aide des câbles à pinces c.c. ou des cosse rondes. Toujours charger la batterie OPTIMA® LiFePO4 avec les câbles OPTIMA® LiFePO4 et OPTIMA® POWERLINK.*



*Illustré : connexions typiques des pinces de chargements c.c. pour un bilan de précharge (avec le moteur arrêté et le chargeur branché sur une alimentation secteur), effectuant le chargement ou seulement le maintien d'une batterie OPTIMA® LiFePO4 à l'intérieur ou hors d'un véhicule avec le câble OPTIMA® POWERLINK.*



### Bilan de précharge de la batterie

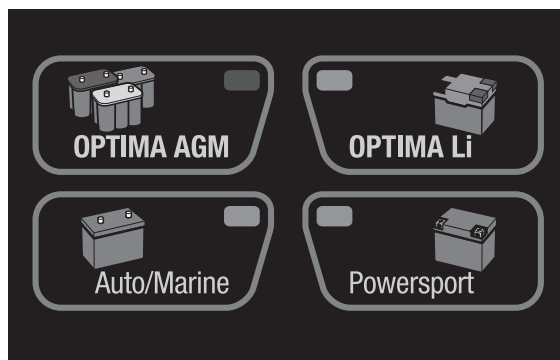
**Remarque : Le moteur du véhicule doit être à l'arrêt, et le chargeur de batterie doit être branché sur le secteur.**

Cette fonction rapide et facile vous permet de connaître l'état de charge de la batterie avant de la charger. **Pour utiliser cette fonction, appuyer sur le bouton d'état de précharge lorsque le chargeur est branché sur le secteur.** La jauge de remplissage affiche l'état actuel de la batterie en pourcentage de charge, avec le type de batterie correspondant allumé. L'utilisateur peut changer le type de batterie avec le mode Analyser en suivant les instructions de la page 42.

*Remarque : Si l'utilisateur n'a pas configuré un type de batterie, cette fonction d'état de précharge de la batterie est désactivée.*


### Réglage rapide de chargement par type de batterie.

Depuis le sélecteur du type de batterie » (sélecteur du réglage rapide de chargement), choisissez le TYPE DE BATTERIE qui correspond aux descriptions des types de batteries en page 43 :  
« Chargement des types de batteries et temps de charge approximatifs. »



### Fonctionnement

1. Brancher le chargeur à la batterie.
2. Brancher sur le secteur.
3. Sélectionner le type de batterie ou le bouton d'état de précharge.
4. Le chargeur devient bleu pendant l'analyse de la batterie.
5. Après 1 minute, le chargeur passe en mode de charge et prend la relève.

Chaque fois qu'une anomalie est identifiée par le chargeur, les indications suivantes apparaissent : L'icône « Check » (Vérification)  s'allume en rouge.

Le chargeur OPTIMA® D400+ arrêtera les sorties de courant.

### Si l'icône « Check » (Vérification) s'allume et reste fixe.

1. Polarité inverse - Erreur de câblage  
Vérifier la polarité de la connexion. Vérifier que la pince ou cosse ronde du câble ROUGE POSITIF (POS, P, +) est connectée à la borne POSITIVE (POS, P, +) de la batterie.
2. Vérifier la connexion ou la batterie < 2,25 V  
Vérifier que les deux fils du chargeur sont bien connectés à la batterie.  
Vérifier que le connecteur de style remorque est bien branché.  
La tension de la batterie est peut-être trop basse pour accepter le chargement. Retourner la batterie au concessionnaire pour vérification. Si la batterie est en dessous de 2,25 V c.c., une autre batterie peut être branchée en parallèle pour démarrer le processus de chargement, puis retirée. Vérifier que le connecteur du câble à cosse ronde auxiliaire est complètement enfoncé dans la prise du chargeur.
3. Out of Range (Hors limites) - batterie > 15,5 V  
La tension de la batterie est élevée. Vérifier qu'une seule batterie 12 V est connectée au chargeur. Vérifier qu'il n'y a pas d'autre chargeur ou de source de maintien connectés ou activés. Enlever si l'un ou l'autre est présent.  
Vérifier que le moteur est arrêté. Faire vérifier batterie et/ou le système de chargement par un concessionnaire.
4. Température du chargeur « Out of range » (Hors limites)  
La température ambiante et/ou la température de l'appareil est trop élevée présentement pour autoriser le fonctionnement. La température de fonctionnement est de -20 °C à 50 °C. Le chargeur recommence à charger automatiquement quand les conditions seront adéquates. Lors du chargement d'une batterie profondément déchargée, il n'est pas rare pour le chargeur d'afficher la condition d'anomalie « Hi Temp » (Température élevée) dans le but de protéger le chargeur et la batterie. Le chargeur recommencera à charger automatiquement après 3 à 15 minutes en fonction de la température ambiante et l'état de la batterie.  
Ne pas couvrir ni enfermer l'appareil – L'utiliser en le suspendant avec le support de rangement mural, ou avec la béquille en le posant sur une surface plane.

### Si l'icône « Check » (Vérification) s'allume et clignote graduellement.

1. Chargement impossible - Vérifier de la batterie  
Redémarrer le chargeur une fois. N'effectuer cette opération qu'une fois. Si le problème persiste, retourner la batterie au concessionnaire pour vérification.  
Revérifier que la batterie est bien une batterie de 12 V et non une batterie de 6 V ou d'une autre tension non compatible.

### Si les icônes « Connected » (Connectée) , « Power » (Alimentation) et « Check » (Vérification) clignotent toutes.

1. Défaillance interne. Contacter le service à la clientèle.  
Contacter immédiatement le service à la clientèle. Les utilisateurs finaux n'ont pas de dépannage supplémentaire à réaliser. Il n'y a pas de pièce réparable ou remplaçable à l'intérieur du chargeur.

## Autres étapes de dépannage général :

*Remarque 1 : Pour réinitialiser le chargeur à tout moment, le débrancher et attendre que l'indicateur d'alimentation BLUE AC soit complètement éteint. Pour les applications typiques où le négatif est relié au châssis, déconnecter la batterie en enlevant d'abord la pince du câble noir négatif BLACK NÉGATIVE (NEG, N, -) et ensuite la pince du câble rouge positif RED POSITIVE (POS, P, +).*

*Reconnecter la batterie, brancher l'alimentation secteur en suivant les consignes de ce manuel et redémarrer la fonction souhaitée.*

*Remarque 2 : Pour les cas où le chargeur est correctement connecté, où le câble d'alimentation secteur est branché dans une prise 120 V a.c. adéquatement protégée par un disjoncteur de fuite à la terre, où il n'y a PAS de DEL allumée et où l'écran principal ACL central n'est pas allumé, suivre les étapes suivantes :*

1. Confirmer que la prise protégée par un disjoncteur de fuite à la terre ne s'est pas déclenchée suite à une mise à la masse défectueuse.
2. Confirmer la présence du 120 V a.c. en branchant une lampe de table ou un voltmètre.
3. Réinitialiser et alimenter pour utiliser à nouveau le OPTIMA® D400+.
4. Si l'alimentation est présente, qu'il n'y a toujours pas de DEL allumée et que la barre d'état de ne fonctionne pas, suivre les étapes de retour au service à la clientèle en page 53 pour la réparation.

Entreposer votre OPTIMA® D400+ dans un endroit sécurisé et à l'abri de l'humidité, et vérifier tous les câbles avant utilisation. Si le câble d'alimentation secteur, les fiches ou les câbles c.c. sont endommagés d'une quelconque façon, ne pas essayer de les réparer et suivre les instructions de retour dans la section de service à la clientèle et de garantie de ce manuel.

## Caractéristiques techniques :

Entrée c.a. :	100 à 120 V c.a. 60 Hz, 1,3 ampères
Sortie c.c. :	Jusqu'à 14,75 V c.c. contrôle numérique et de température
Intensité de charge :	Jusqu'à 4 ampères
Types de batteries :	Batteries OPTIMA® LiFePO4, AGM et batteries à électrolyte liquide (accumulateur au plomb). - Batteries OPTIMA® et AGM haute performance 12 V - Batteries OPTIMA® LiFePO4 (lithium phosphate de fer) 12 V - Batteries 12 V standard à électrolyte liquide (plomb-acide)
Câbles :	Câble CA et CC de 1,80 m (6 pi)
Size:	20,8 x 10,2 x 7,2 cm (8,2 x 4 x 2,8 po)

Cet appareil est conforme aux exigences de la partie 15B de la réglementation de la FCC. Son utilisation est soumise aux deux conditions suivantes :

- (1) Cet appareil ne doit causer aucun brouillage préjudiciable, et
- (2) Cet appareil doit accepter tout brouillage préjudiciable reçu, y compris celui qui pourrait causer un fonctionnement indésirable.

Certifié conforme à :

UL 1236

CSA C22.2 No. 107.2

FCC Class B



OPTIMA Chargers, OPTIMA Batteries, The Ultimate Power Source, SPIRALCELL Technology, REDTOP, YELLOWTOP et BLUETOP sont des marques de commerce de Clarion, Inc.

**Enregistrement du produit :** Veuillez enregistrer votre achat à [www.optimabatteries.com](http://www.optimabatteries.com), au lien « Register your OPTIMA® ».

## **Support technique et de garantie OPTIMA® D400+**

Veuillez NE PAS retourner votre appareil au concessionnaire qui l'a vendu.

Pour toute assistance technique ou de garantie, veuillez appeler le service à la clientèle d'OPTIMA® au 1-888-867-8462 (888-8OPTIMA) entre 9 h et 17 h (HNC) du lundi au vendredi, ou par courriel à l'adresse [info@optimabatteries.com](mailto:info@optimabatteries.com).

Tous les retours doivent être autorisés par OPTIMA®. Les appareils retournés sans numéro d'autorisation de retour peuvent être égarés ou retardés.

**GARANTIE LIMITÉE - OPTIMA® Batteries, Inc.** (le « fabricant ») garantit ce chargeur de batterie (le « produit ») pendant 3 ans à partir de la date d'achat d'origine au détail contre tout défaut de matériau ou de fabrication dans des conditions d'utilisation et d'entretien normales.

Si le produit présente des défauts de matériau ou de fabrication, l'obligation du fabricant en vertu de la présente garantie consiste uniquement à réparer ou à remplacer le produit avec un produit neuf ou reconditionné, au choix du fabricant. Il vous incombe de retourner le produit, avec un exemplaire original de la facture d'achat produit mécaniquement (par ex. imprimé par ordinateur), en port payé au fabricant ou à son représentant autorisé, pour obtenir le remplacement ou la réparation. Les factures d'achat écrites manuellement ne sont pas acceptées. La présente garantie limitée n'est pas transférable.

Le fabricant ne fournit aucune garantie pour tout accessoire utilisé avec ce produit qui n'est pas fabriqué par OPTIMA® Batteries ni approuvé pour son utilisation avec ce produit. La présente garantie limitée est annulée si le produit est utilisé incorrectement, manipulé inadéquatement, ouvert, réparé, ou modifié par quiconque autre que le fabricant, ou si ce produit est revendu par un détaillant non autorisé. Ce produit n'est pas destiné à un usage commercial, et un tel usage annule la garantie.

Le fabricant n'offre aucune autre garantie, y compris mais sans s'y limiter, toute garantie expresse, implicite ou légale, y compris mais sans limitation, toute garantie implicite de qualité marchande ou garantie implicite d'adaptation à un usage particulier. De plus, le fabricant ne peut être tenu pour responsable pour des dommages accessoires, spéciaux ou consécutifs encourus par les acheteurs, les utilisateurs ou autres parties associées à ce produit, y compris mais sans s'y limiter, les pertes de profits, de revenus, de ventes anticipées, de possibilités commerciales, de clientèle, d'interruption d'activité et toute autre blessure ou tout autre dommage. Toutes et chacune de ces garanties, autres que la garantie limitée ci-incluse, sont par la présente expressément rejetées et exclues.

Certaines provinces interdisent l'exclusion ou la limitation des dommages accessoires ou consécutifs ou de la durée d'une garantie implicite, de sorte que les limitations ou les exclusions susmentionnées peuvent ne pas s'appliquer à votre cas. La présente garantie vous donne des droits légaux spécifiques et vous pouvez aussi bénéficier d'autres droits qui peuvent être différents de ceux stipulés dans la présente garantie.

LA PRÉSENTE GARANTIE LIMITÉE EST LA SEULE GARANTIE LIMITÉE EXPRESSE ET LE FABRICANT N'ASSUME NI N'AUTORISE QUICONQUE À ASSUMER OU À ENDOSSER TOUTE AUTRE RESPONSABILITÉ ENVERS LE PRODUIT AUTRE QUE LES OBLIGATIONS STIPULÉES DANS LA PRÉSENTE GARANTIE.

### **OPTIMA**

5757 N. Green Bay Ave.  
Glendale, WI 53209-4408  
888.8OPTIMA (888.867.8462)  
[www.optimabatteries.com](http://www.optimabatteries.com)